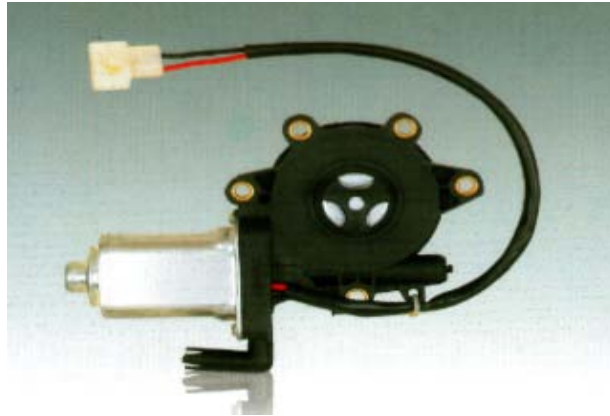


Right Angle Geared Motor



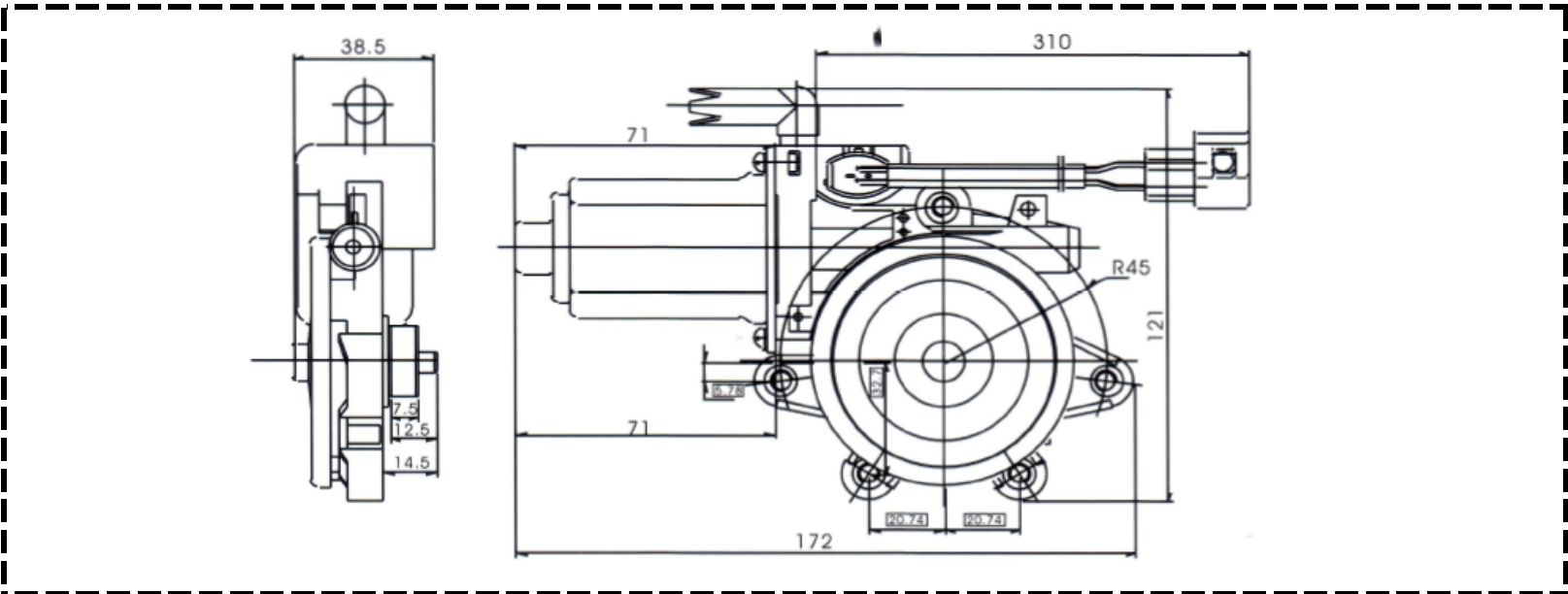
GWP41172



Specification

Model No.	Rated Voltage V	No-Load		Load			Locked Torque N.m	Locked Current A
		Speed RPM	Current A	Torque N.m	Speed RPM	Current A		
GWP41172 R/L	12	80±10	≤3	3	65±15	≤10	≥8.5	≤25

Outline Drawing



Performance Curve

