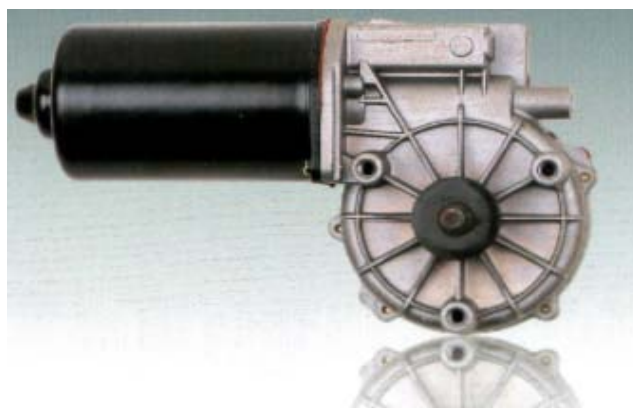


Right Angle Geared Motor



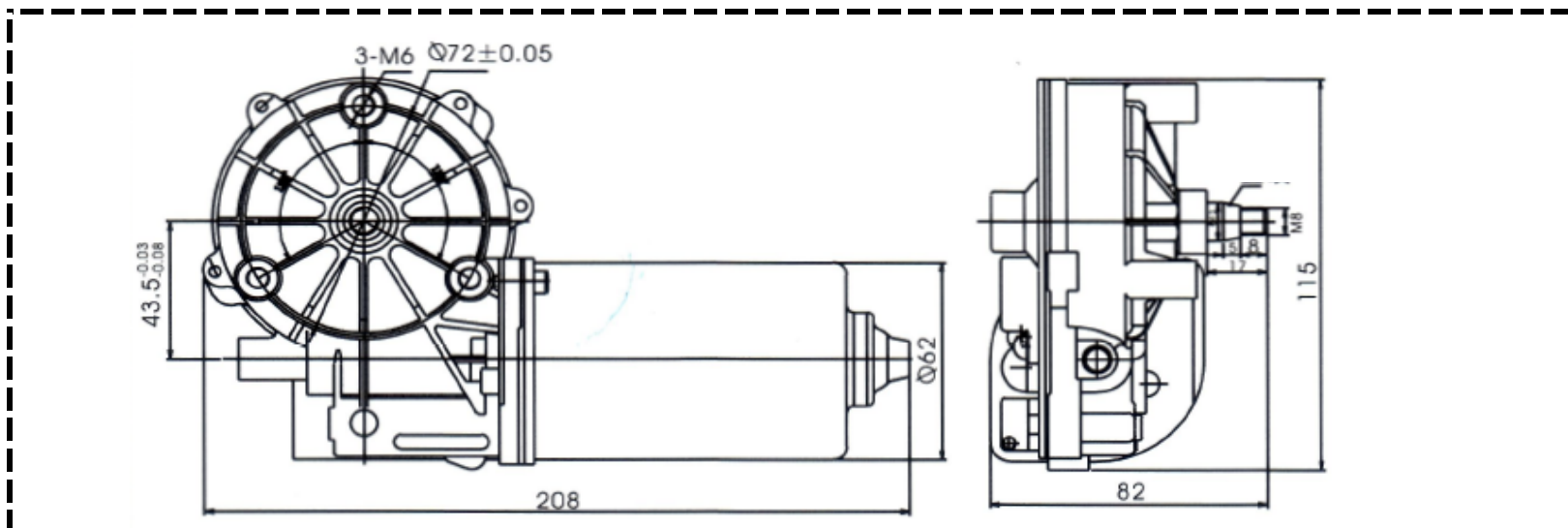
GMP44208



Specification

Model No.	Rated Voltage V	No-Load		Load			Locked Torque N.m	Locked Current A
		Speed RPM	Current A	Torque N.m	Speed RPM	Current A		
GMP44208-A R/L	12	50±10	≤4	7	40±5	≤10	≥25	≤30
GMP44208-B R/L	12	35±10	≤2.5	7	20±5	≤7	≥27	≤25

Outline Drawing



Performance Curve

