

Right Angle Geared Motor



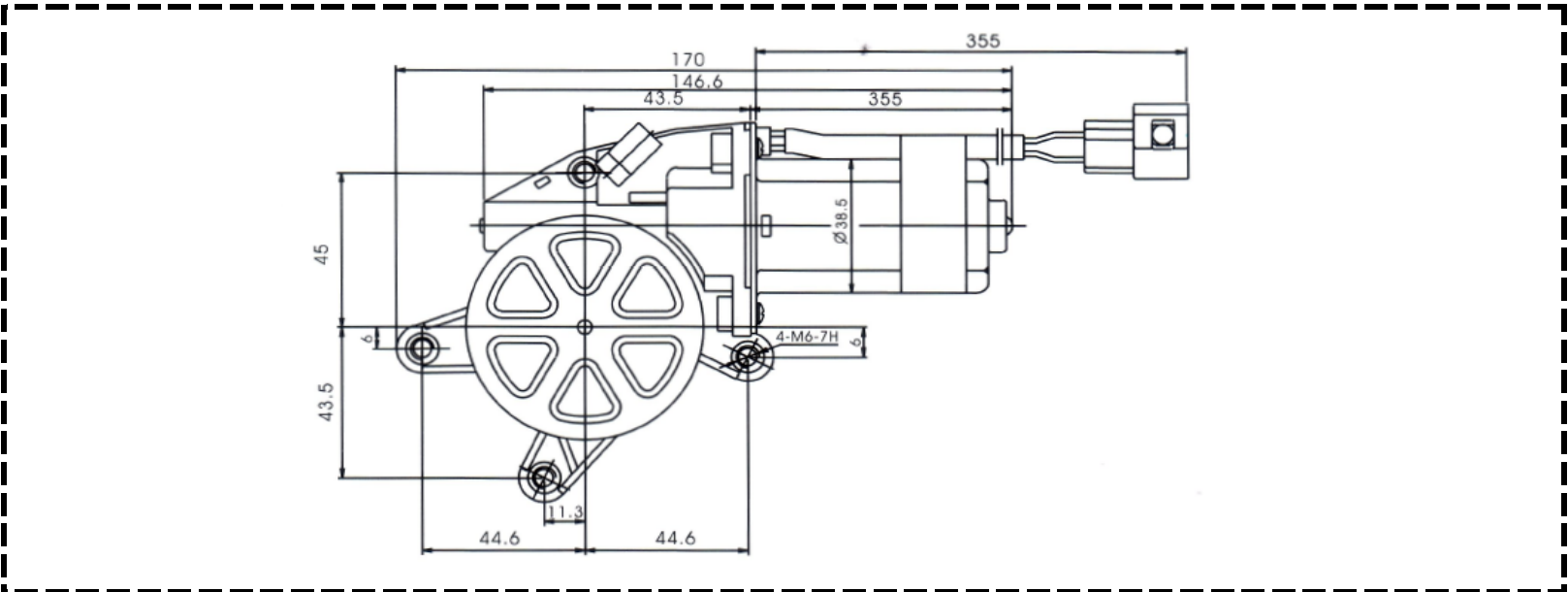
GMP49170



Specification

Model No.	Rated Voltage	No-Load		Load		Locked Torque	Locked Current	
		Speed	Current	Torque	Speed			Current
	V	RPM	A	N.m	RPM	A	N.m	A
GMP49170 R/L	24	85±25	≤1	3	70±20	≤3	≥8.5	≤7

Outline Drawing



Performance Curve

