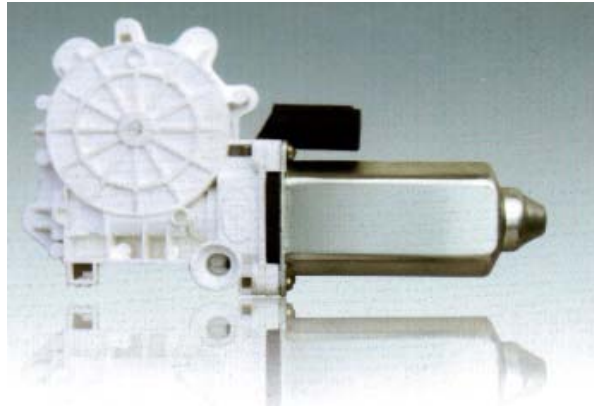


Right Angle Geared Motor



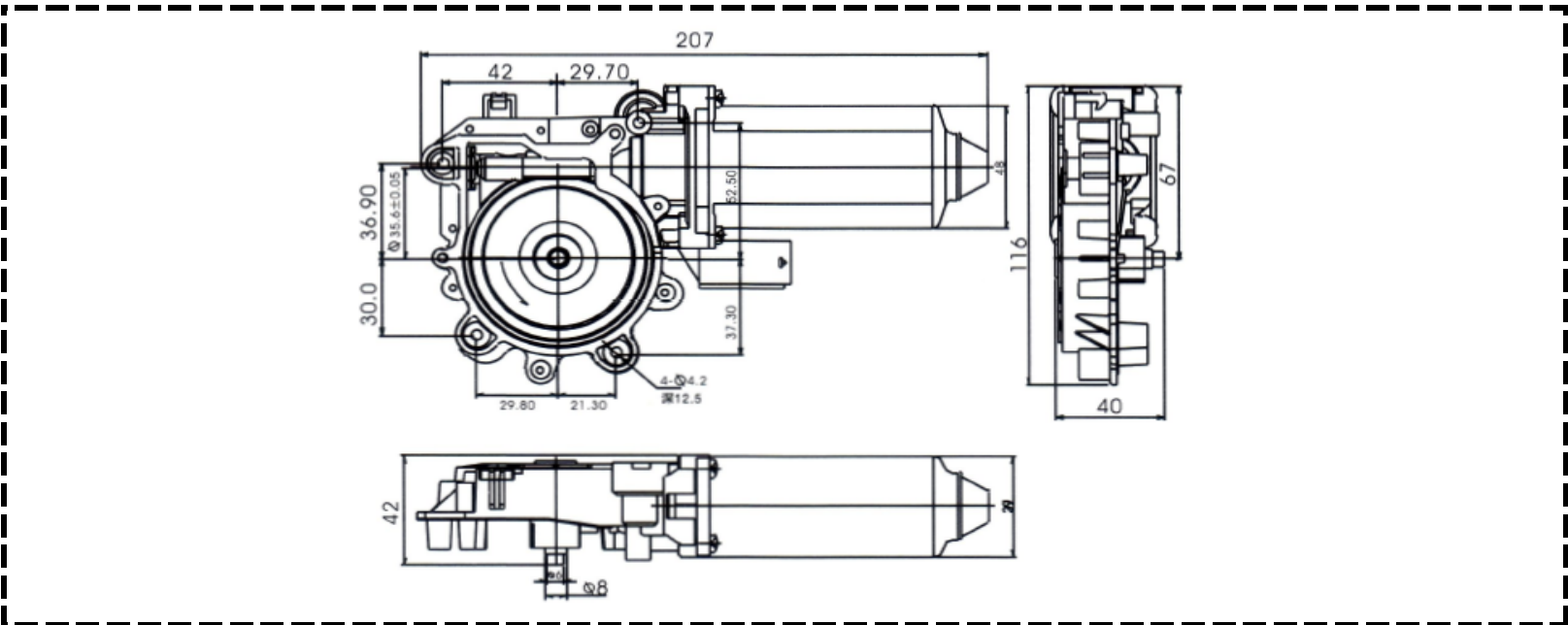
GMP51207



Specification

Model No.	Rated Voltage V	No-Load		Load			Locked Torque N.m	Locked Current A
		Speed RPM	Current A	Torque N.m	Speed RPM	Current A		
		GMP51207 R/L	12	70±15	≤4	3		

Outline Drawing



Performance Curve

