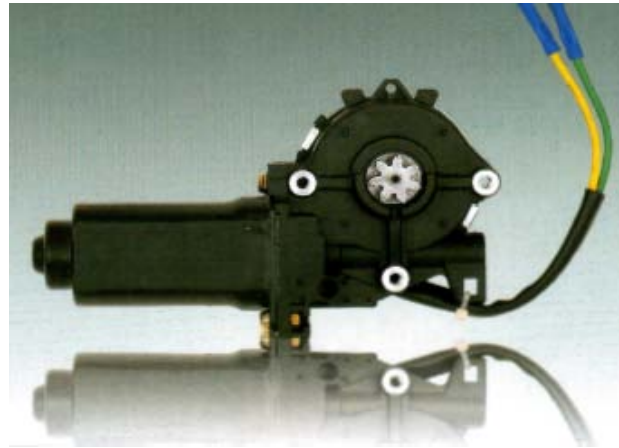


Right Angle Geared Motor



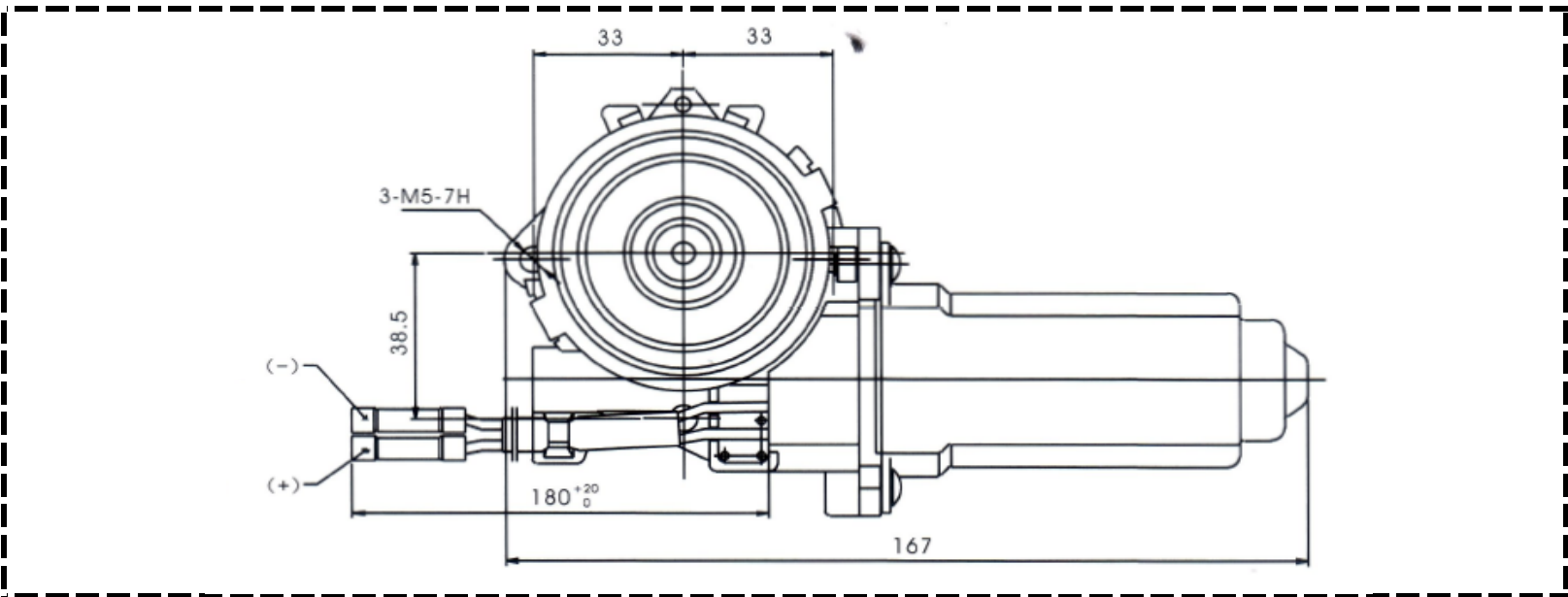
GWP66167



Specification

Model No.	Rated Voltage V	No-Load		Load		Locked Torque N.m	Locked Current A
		Speed RPM	Current A	Torque N.m	Speed RPM		
GWP66167 R/L	10.5	95±10	≤3.7	5.1	50±15	≥9	≤25

Outline Drawing



Performance Curve

