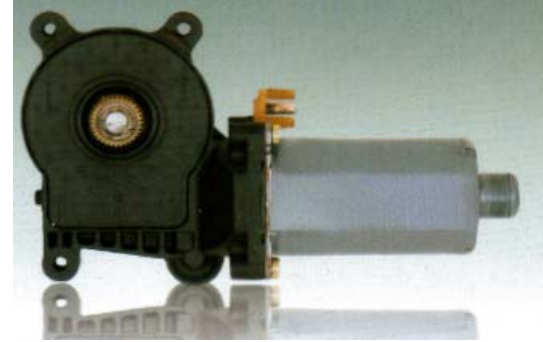
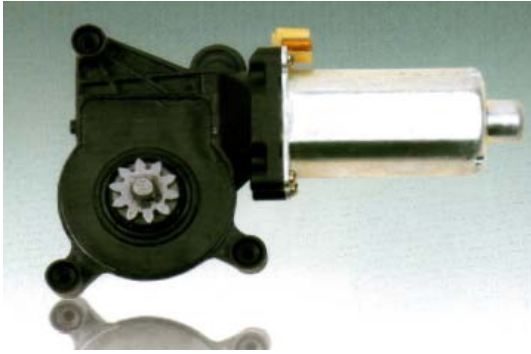


Right Angle Geared Motor



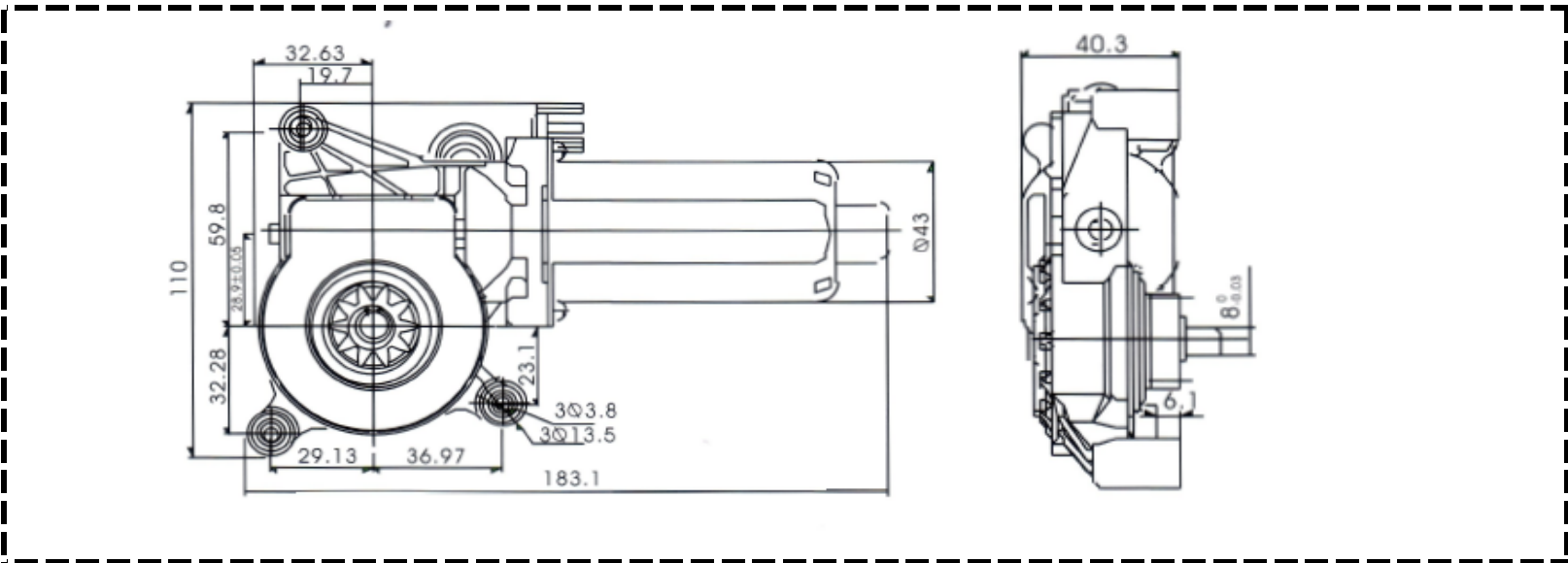
GMP66183



Specification

Model No.	Rated Voltage V	No-Load		Load			Locked Torque N.m	Locked Current A
		Speed RPM	Current A	Torque N.m	Speed RPM	Current A		
GMP66183A R/L	12	85±10	≤3	3	55±10	≤15	≥8.5	≤25
GMP66183B R/L	12	85±10	≤3	3	55±10	≤15	≥8.5	≤25

Outline Drawing



Performance Curve

