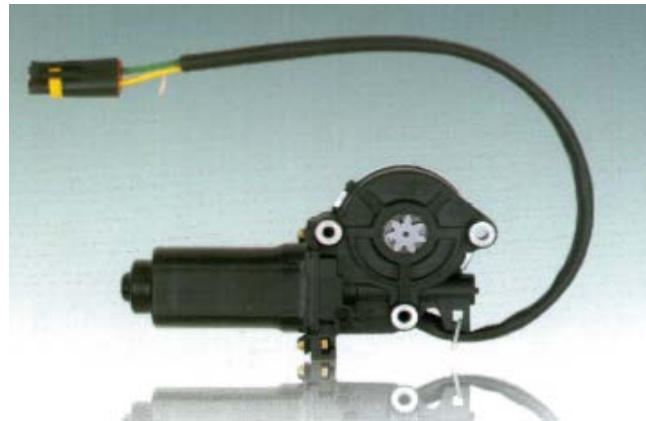


Right Angle Geared Motor



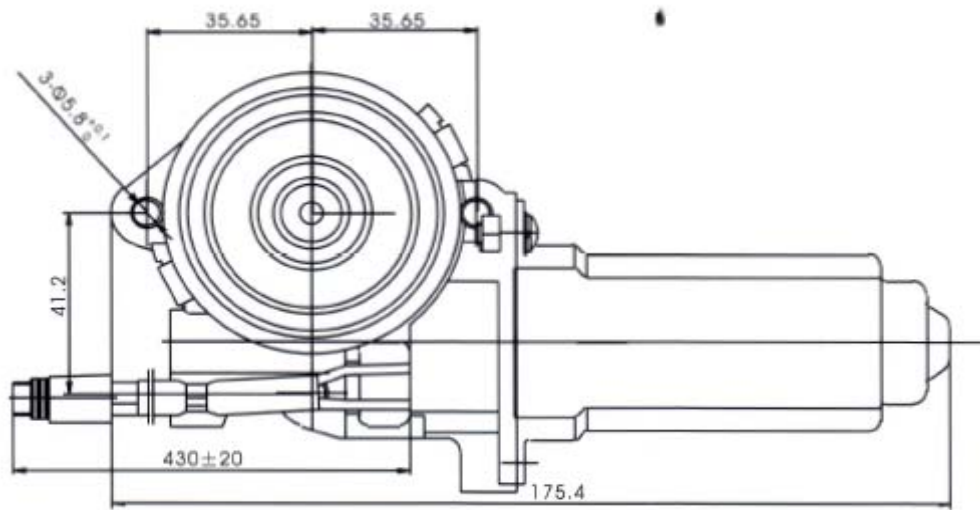
GWP71175



Specification

Model No.	Rated Voltage V	No-Load		Load			Locked Torque N.m	Locked Current A
		Speed RPM	Current A	Torque N.m	Speed RPM	Current A		
GWP71175B R/L	10.5	90±10	≤3.7	5.1	50±10	≤15	≥9	≤25

Outline Drawing



Performance Curve

