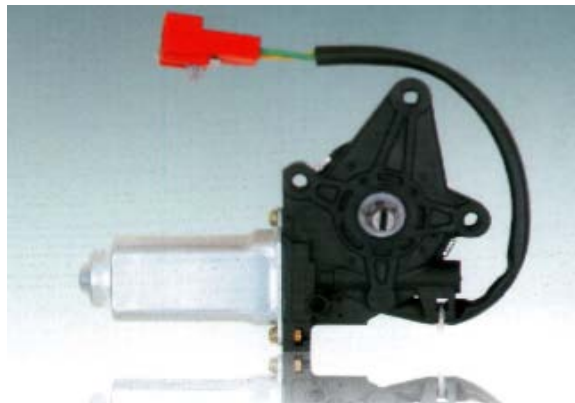


Right Angle Geared Motor



GWP74178

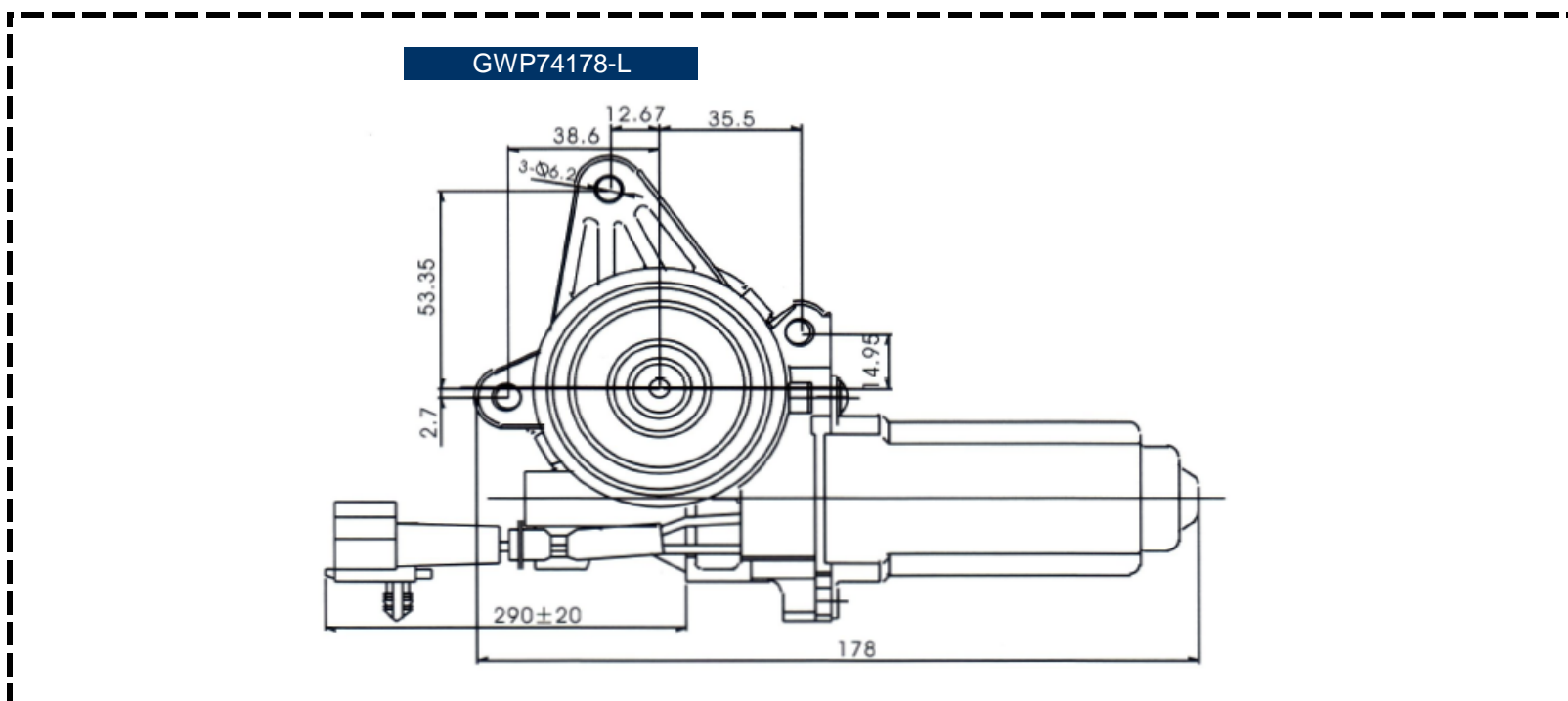
GWP74178-L



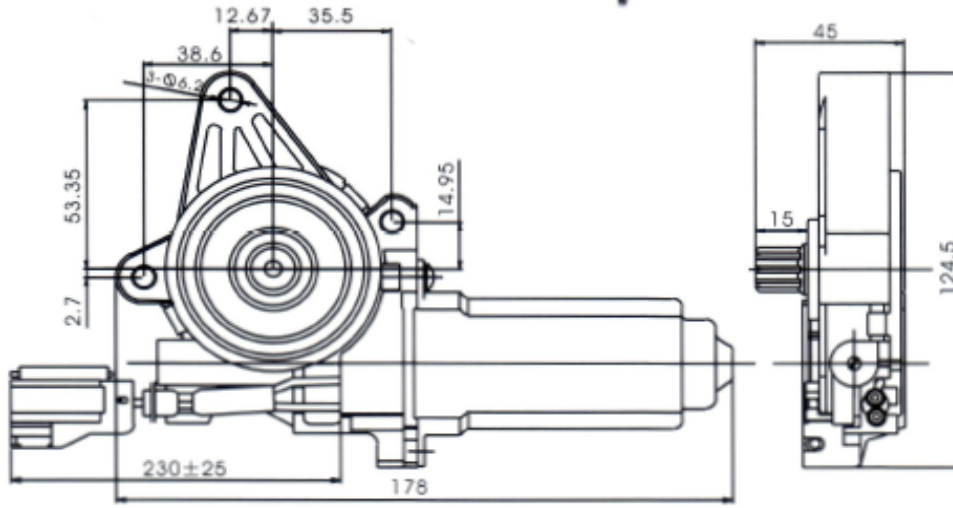
Specification

Model No.	Rated	No-Load		Load			Locked Torque	Locked Current
	Voltage	Speed	Current	Torque	Speed	Current		
	V	RPM	A	N.m	RPM	A		
GWP74178 R/L	10.5	90±10	≤3.7	5.1	50±10	≤15	≥9	≤25
GWP74178A R/L	10.5	90±10	≤3.7	5.1	50±10	≤15	≥9	≤25
GWP74178B R/L	10.5	90±10	≤3.7	5.1	50±10	≤15	≥9	≤25

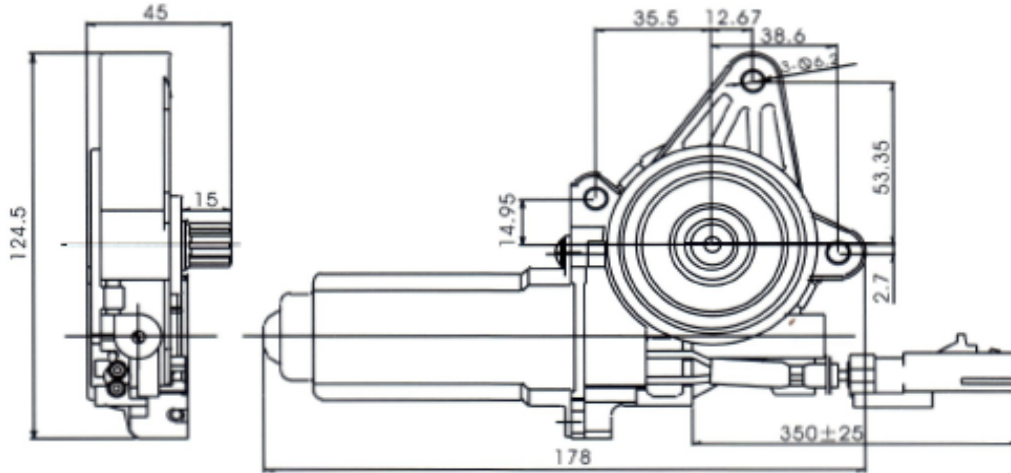
Outline Drawing



TWM13410A-L



TWM13410B-L



Performance Curve

