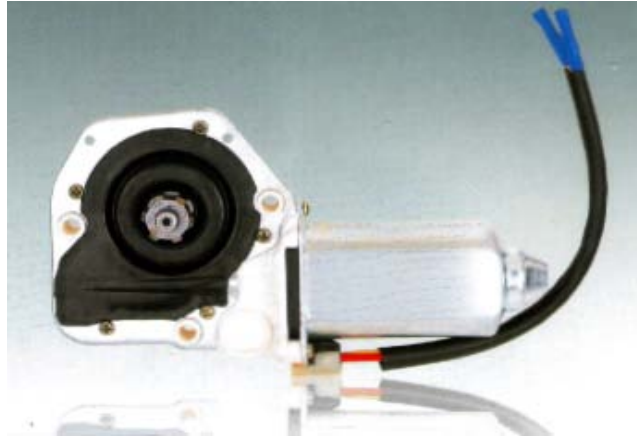


# Right Angle Geared Motor



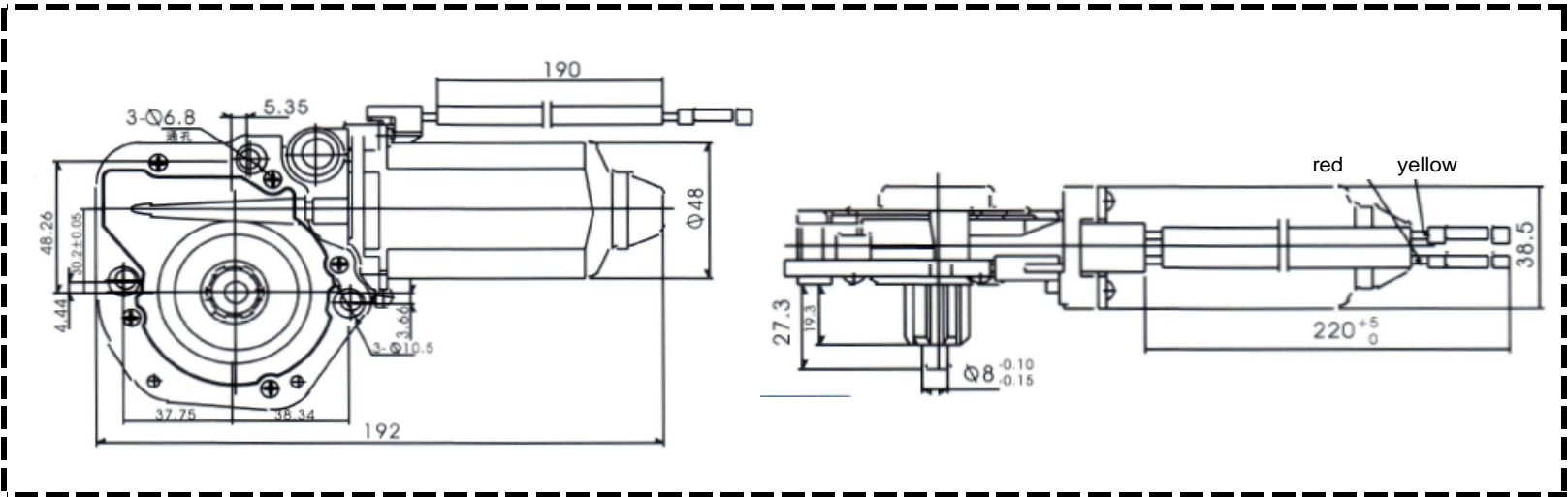
GMP75192



## Specification

Model No.	Rated Voltage V	No-Load		Load			Locked Torque N.m	Locked Current A
		Speed RPM	Current A	Torque N.m	Speed RPM	Current A		
GMP75192 R/L	12	85±10	≤4	3	55±10	≤10.5	≥9	≤28

## Outline Drawing



## Performance Curve

