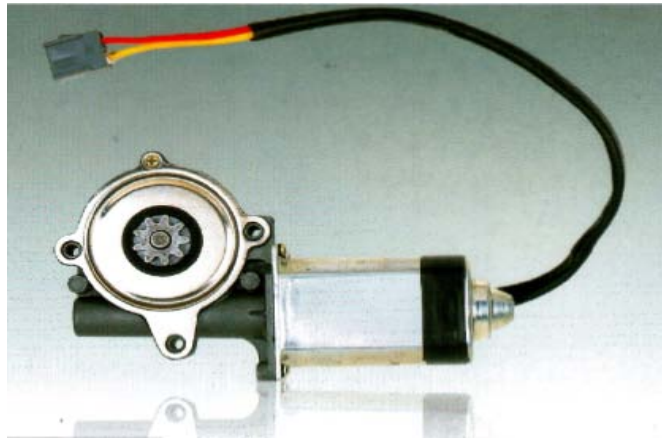


Right Angle Geared Motor



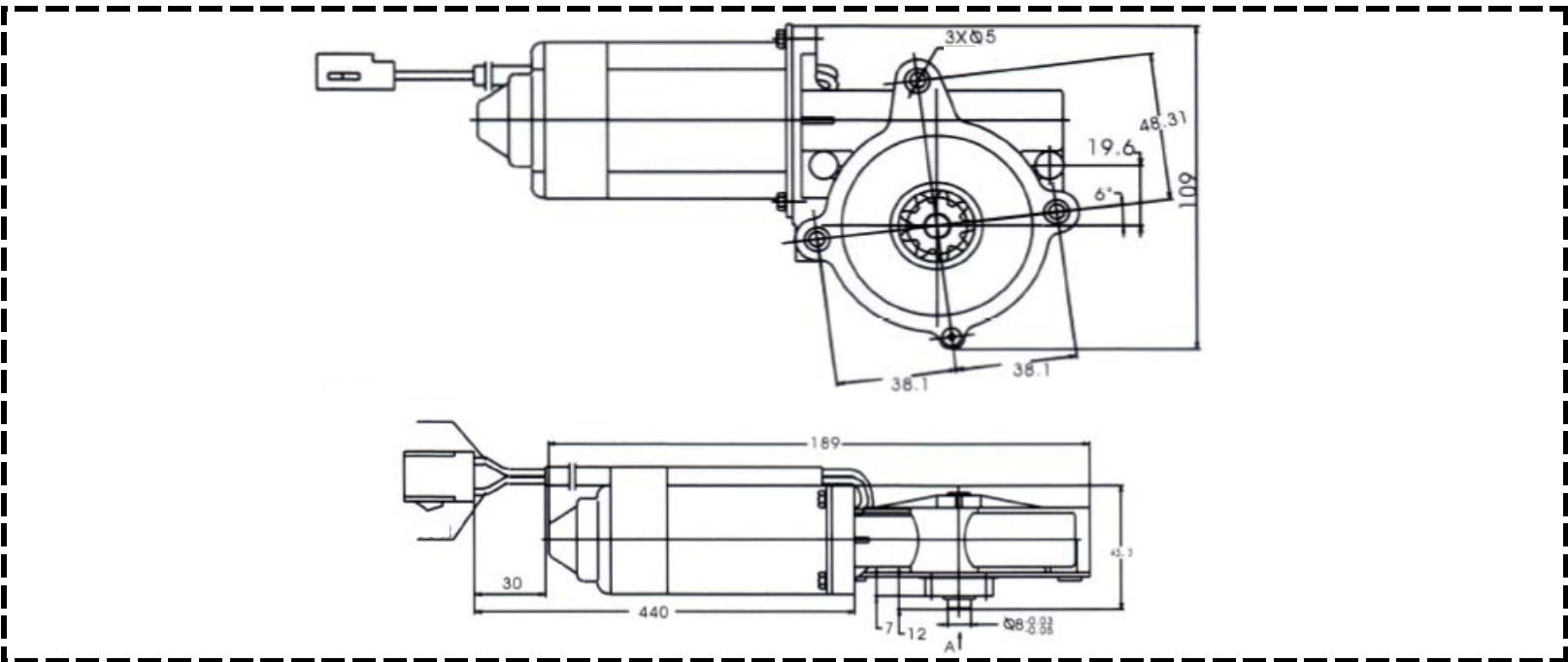
GWP76189



Specification

Model No.	Rated Voltage V	No-Load		Load			Locked Torque N.m	Locked Current A
		Speed RPM	Current A	Torque N.m	Speed RPM	Current A		
GWP76189 R/L	10.5	80±10	≤3	7.9	25±5	≤17	≥10.2	≤21

Outline Drawing



Performance Curve

