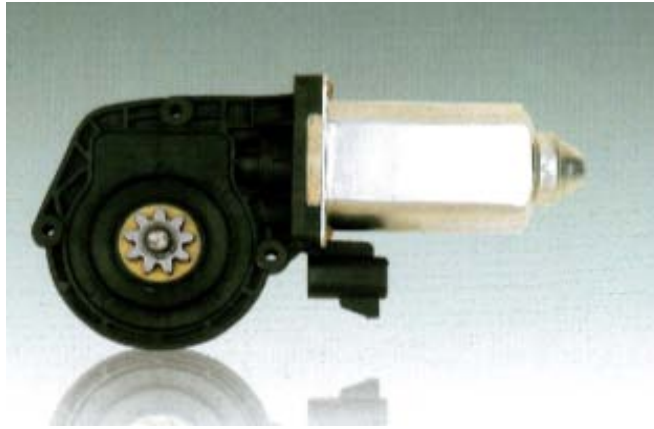


# Right Angle Geared Motor



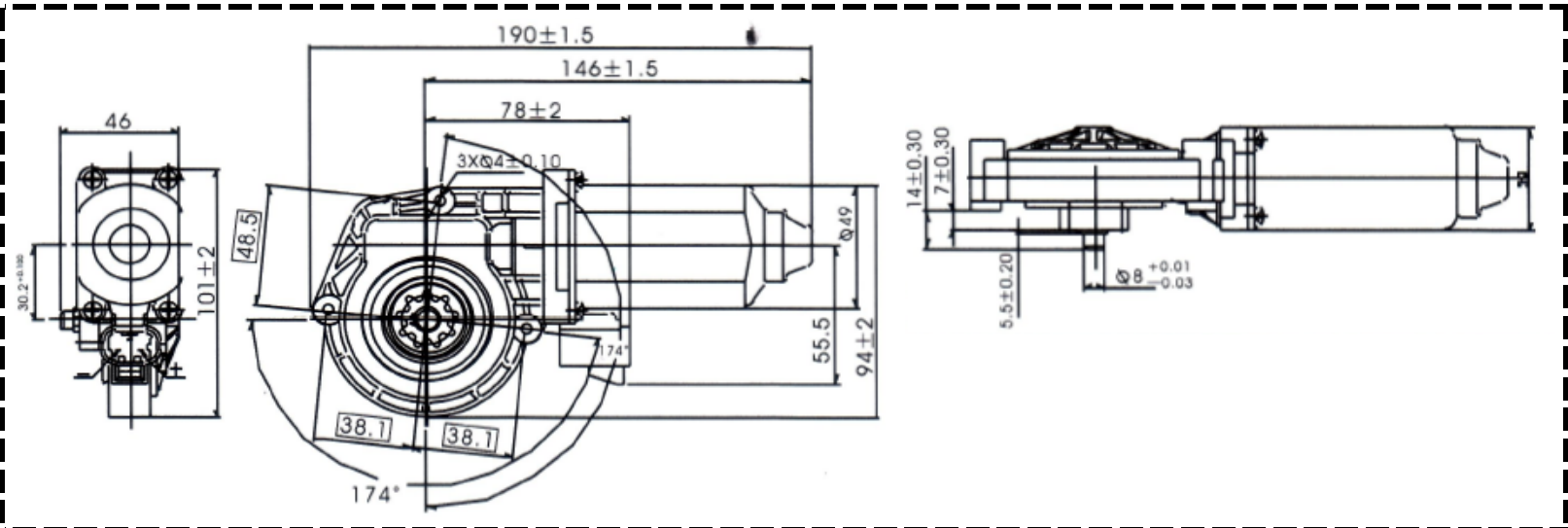
GWP76190



## Specification

Model No.	Rated Voltage V	No-Load		Load		Locked Torque N.m	Locked Current A
		Speed RPM	Current A	Torque N.m	Speed RPM		
GWP76190 R/L	10.5	80±10	≤3	7.9	25±5	≥10.2	≤21

## Outline Drawing



## Performance Curve

