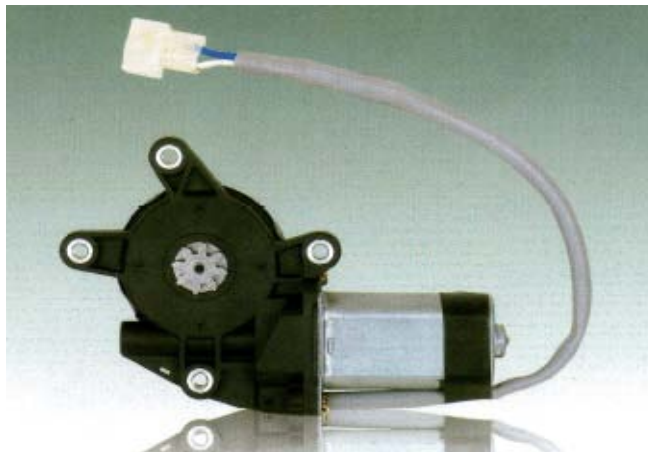


Right Angle Geared Motor



GWP89170

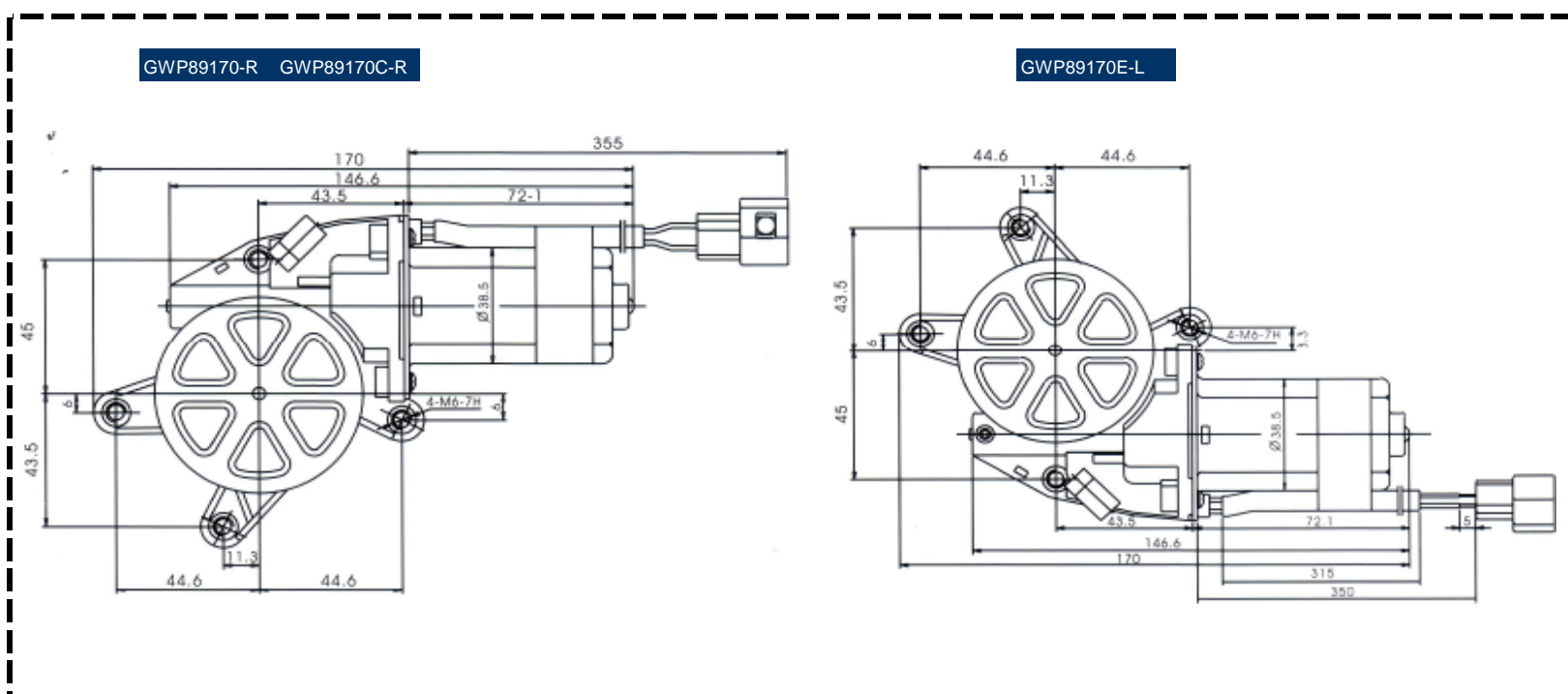
GWP89170L



Specification

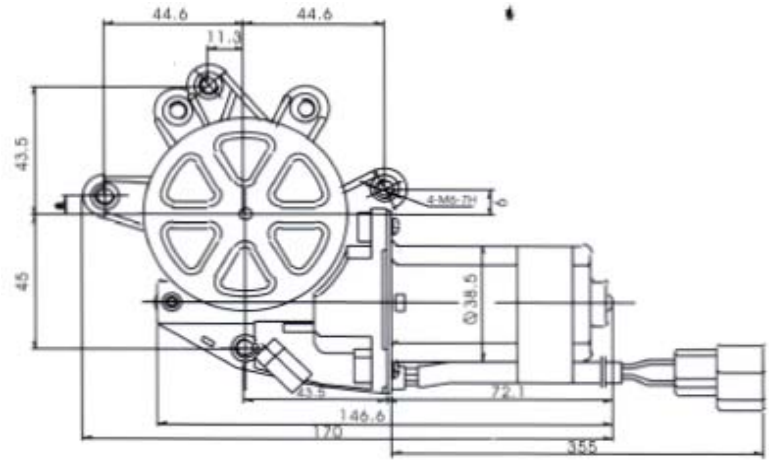
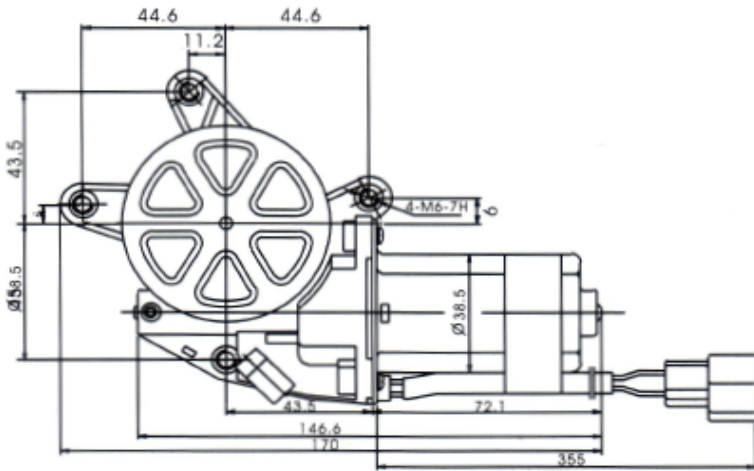
Model No.	Rated	No-Load		Load			Locked Torque	Locked Current
	Voltage	Speed	Current	Torque	Speed	Current		
	V	RPM	A	N.m	RPM	A		
GWP89170 R/L	12	95±15	≤2	3	65±15	≤10	≥8.5	≤25
GWP89170C R/L	12	95±15	≤2	3	65±15	≤10	≥8.5	≤25
GWP89170D R/L	12	95±15	≤2	3	65±15	≤10	≥8.5	≤25
GWP89170E R/L	12	95±15	≤2	3	65±15	≤10	≥8.5	≤25
GWP89170T R/L	12	95±15	≤2	3	65±15	≤10	≥8.5	≤25

Outline Drawing



GWP89170D-L

GWP891701341E



Performance Curve

