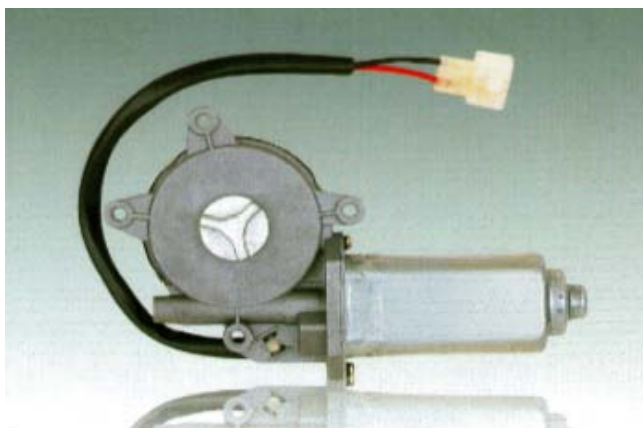


Right Angle Geared Motor



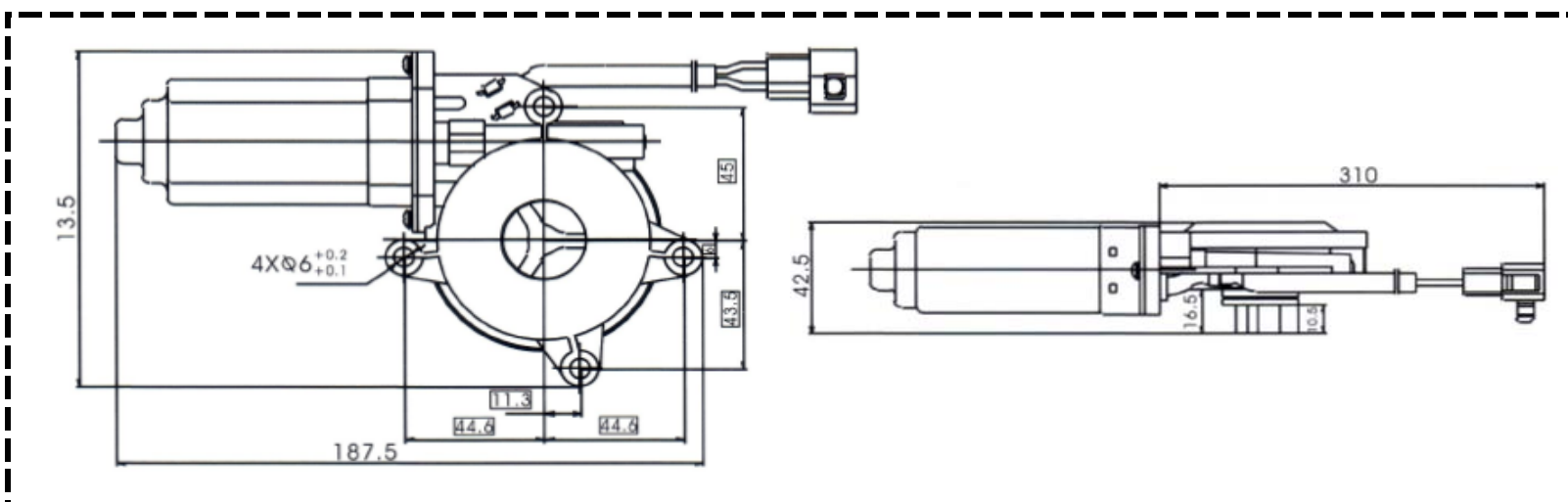
GWP89188



Specification

Model No.	Rated Voltage V	No-Load		Load		Locked Torque N.m	Locked Current A	
		Speed RPM	Current A	Torque N.m	Speed RPM			Current A
		GWP89188 R/L	12	80±10	≤3			3

Outline Drawing



Performance Curve

