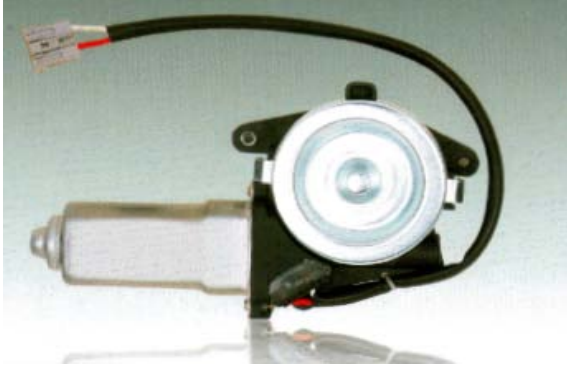


Right Angle Geared Motor

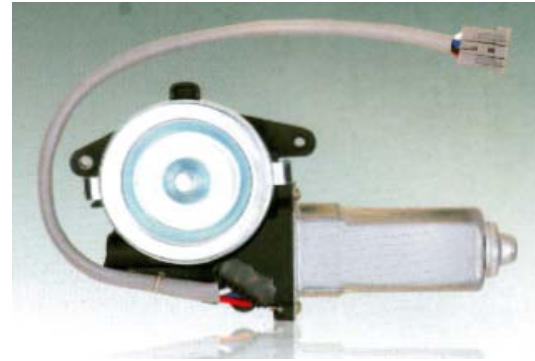


GMP97210

GMP97210A-R



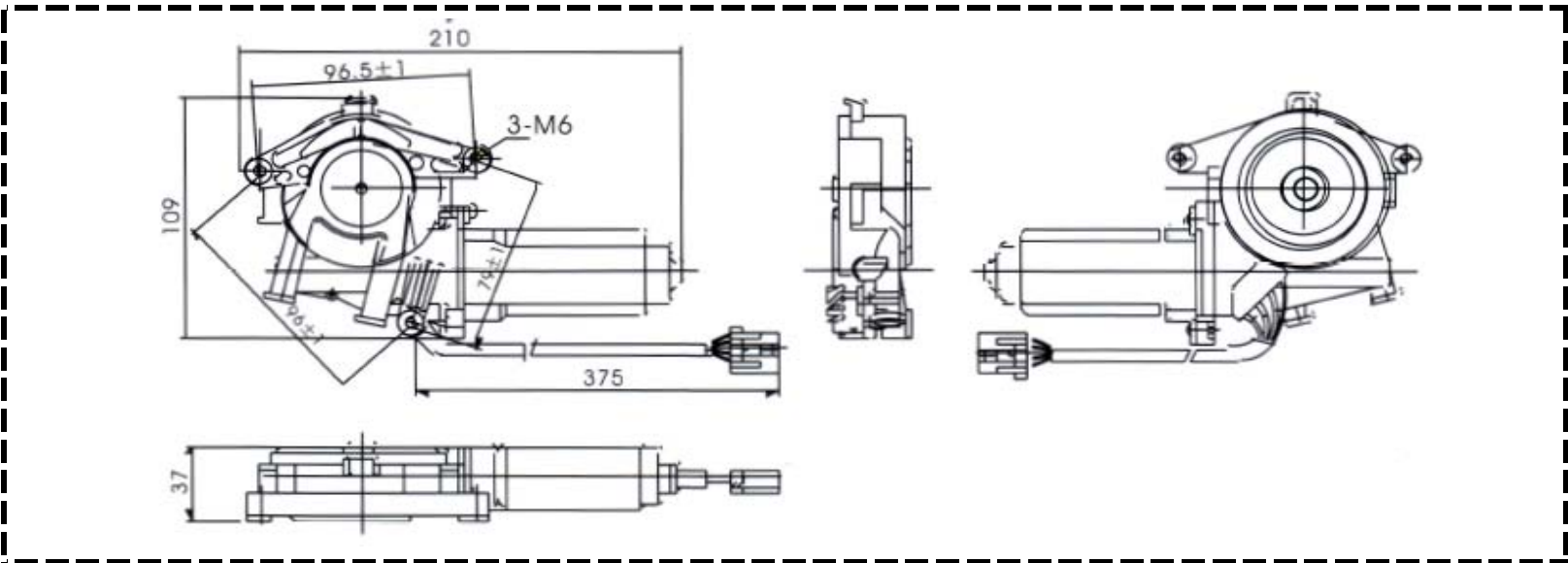
GMP97210-L



Specification

Model No.	Rated Voltage V	No-Load		Load			Locked Torque N.m	Locked Current A
		Speed RPM	Current A	Torque N.m	Speed RPM	Current A		
GMP97210 R/L	12	70±10	≤3	3	40±10	≤9	≥8.5	≤20
GMP97210A R/L	12	70±10	≤3	3	40±10	≤9	≥8.5	≤20

Outline Drawing



Performance Curve

