

LA Series



Feature

- ◇ Thermal Protected Motor (Class B, 130° F).
- ◇ OEM Heavy Capacity Available
- ◇ Integral Limit Switch
- ◇ Rugged, Heavy Duty Die- Casting gear Housing
- ◇ Multiple Gear Ratios
- ◇ Multiple Mounting Selections Available
- ◇ Duty Cycle: 17%

Option

- Feedback Sensors (Reed and Potentiometer)
- Power Supply and Controls
- Capacitor Mounting
- Tube Options

Application

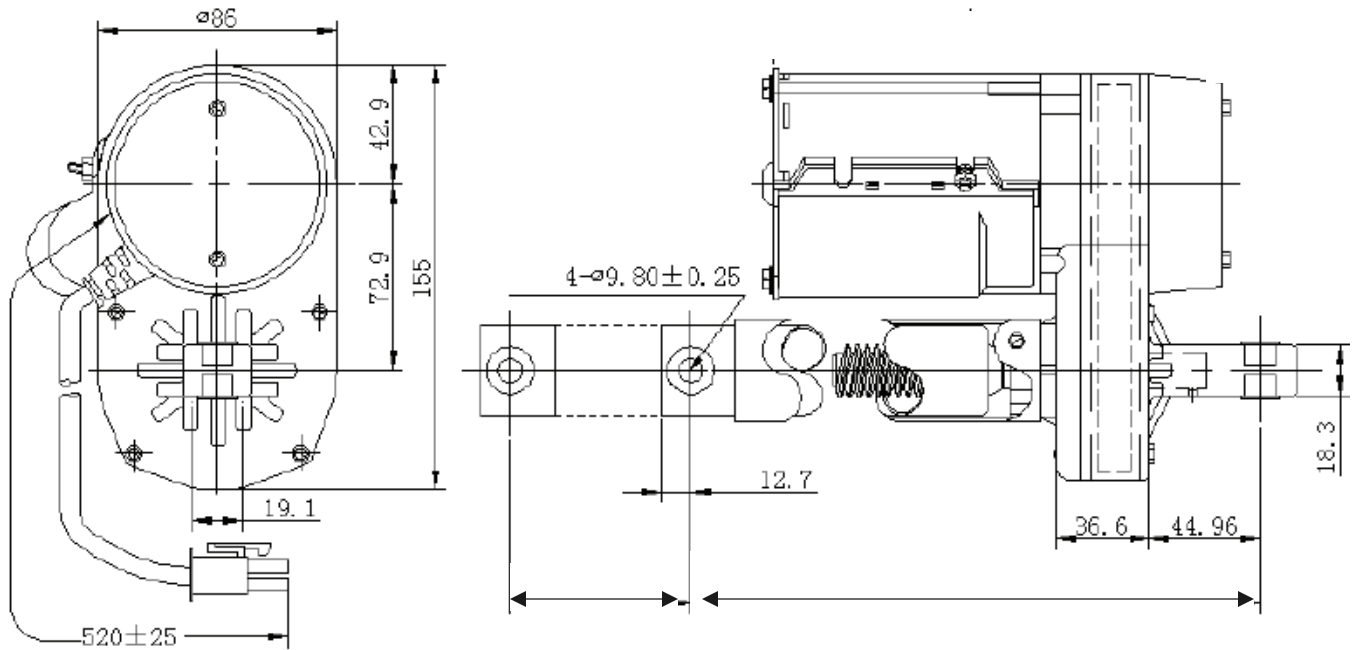
Medical, Furniture, Hospital Bed, Industrial and Others

Technical Specification

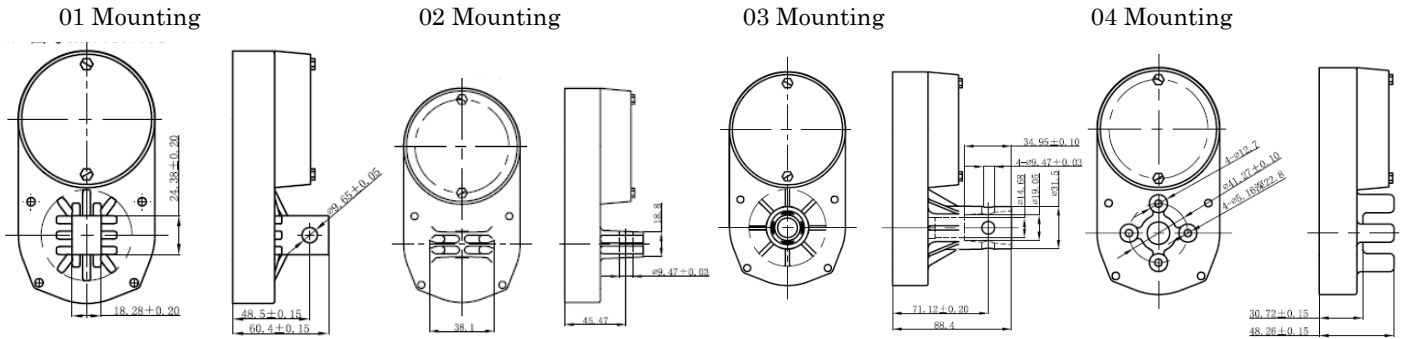
Model	Motor	Gear Ratio	Acme Size	Capacity	Linear Speed
	HP			LB	In/Sec
32166	1/10	16.2:1	¾-6	800	0.27
32196	1/10	19.4:1	¾-6	850	0.23
32168	1/10	16.2:1	¾-8	900	0.21
32198	1/10	19.4:1	¾-8	950	0.17
38166	1/8	16.2:1	¾-6	1000	0.27
38196	1/8	19.4:1	¾-6	1050	0.23
38168	1/8	16.2:1	¾-8	1100	0.21
38198	1/8	19.4:1	¾-8	1150	0.17
45166	1/6	16.2:1	¾-6	1200	0.27
45196	1/6	19.4:1	¾-6	1250	0.23
45168	1/6	16.2:1	¾-8	1300	0.21
45198	1/6	19.4:1	¾-8	1350	0.17

LA Series

Drawing



Mounting Option



Model Number Explanation

L	A	XXXXX	XXX	—	XXX	—	XX	X
AC Linear Actuator	Model Series Number 32166: Series 32166 ... 45198: Series 45198	Voltage 115:115V 230:230V	Stroke Length 050: 50mm ... 600:600mm		Mounting Options 01: 01 Mounting 02: 02 Mounting 03: 03 Mounting 04: 04 Mounting		Feedback Option H: Reed Sensor P: Potentiometer	