

LD01 Series

Feature

- ◇ IP Protection: IP54
- ◇ Built in limit Switches
- ◇ Clevis to Clevis Mounting,
- ◇ Rear Clevis Can be Turned 90°
- ◇ One converter for up to 3 Actuators
- ◇ Emergency lowering function w/ 9V DC battery x2
- ◇ Safety key on handset
- ◇ Ambient Temperature: -25°C ~ +65°C
- ◇ Duty Cycle: 10%

Option

- Hall Effect Sensor (Push Only)
- Safety Nut

Application

Furniture, Home Care, Fitness Equipments

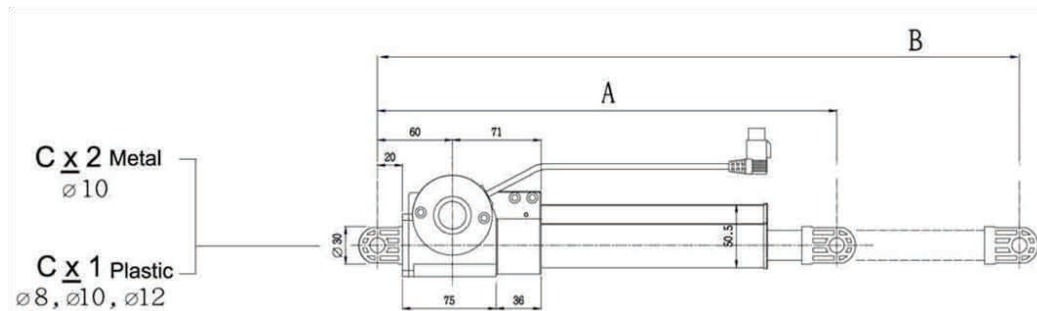


Technical Specification

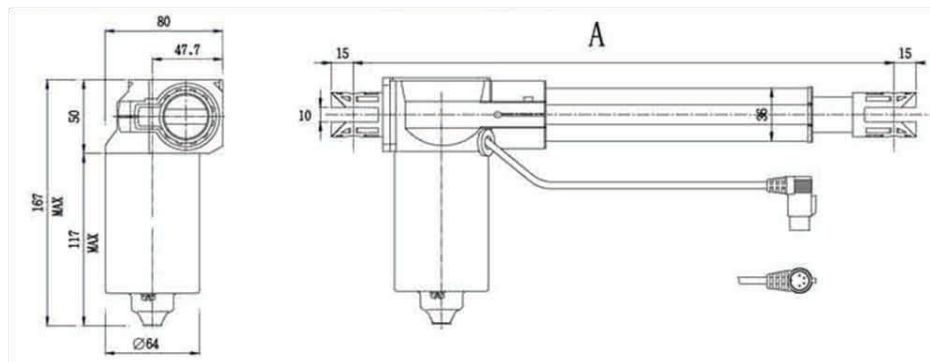
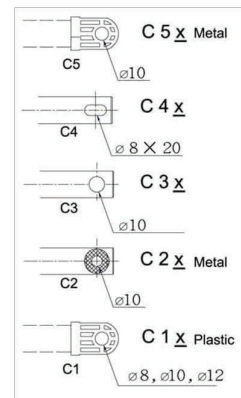
Input Voltage	Max. Load Capacity (Push)	Max. Load Capacity (Pull)	Speed at Full Load	Max. Speed	Max. Stroke Length
V	N	N	mm/sec.	mm/sec.	mm
12/24	6000	4000	4.7	8.3	300

Drawing

Rear Connector



Front Connector



Stroke	A	B
mm	mm	mm
50	228	278
100	278	378
150	338	488
200	388	588
250	448	698
300	498	798

Model Number Explanation

L	D	01	—	XX	XXX	—	XXXX	XXXX	—	X
				Voltage 12:12V, 24:24V	Stroke Length 050: 50mm ... 300: 300mm		Rear Mounting Option C081: Cx1 ø 8 C101: Cx1 ø 10 C121: Cx1 ø 12 C102: Cx2 ø 10	Front Mounting Option C108: C1X ø 8 ... C510: C5X ø 10		Option H: Hall Effect Sensor (push only) S: Safety Nut