

LD02 Series

Feature

- ◇ IP Protection: IP54
- ◇ Built in limit Switches
- ◇ Clevis to Clevis Mounting
- ◇ Rear Clevis Can be Turned 90°
- ◇ One converter for up to 4 Actuators
- ◇ Emergency lowering function w/ 9V DC battery x2
- ◇ Safety key on handset-available
- ◇ Ambient Temperature: -25°C ~ +65°C
- ◇ Duty Cycle: 10%

Option

- Hall Effect Sensor (Push Only)
- Safety Nut

Application

Medical and Home Care

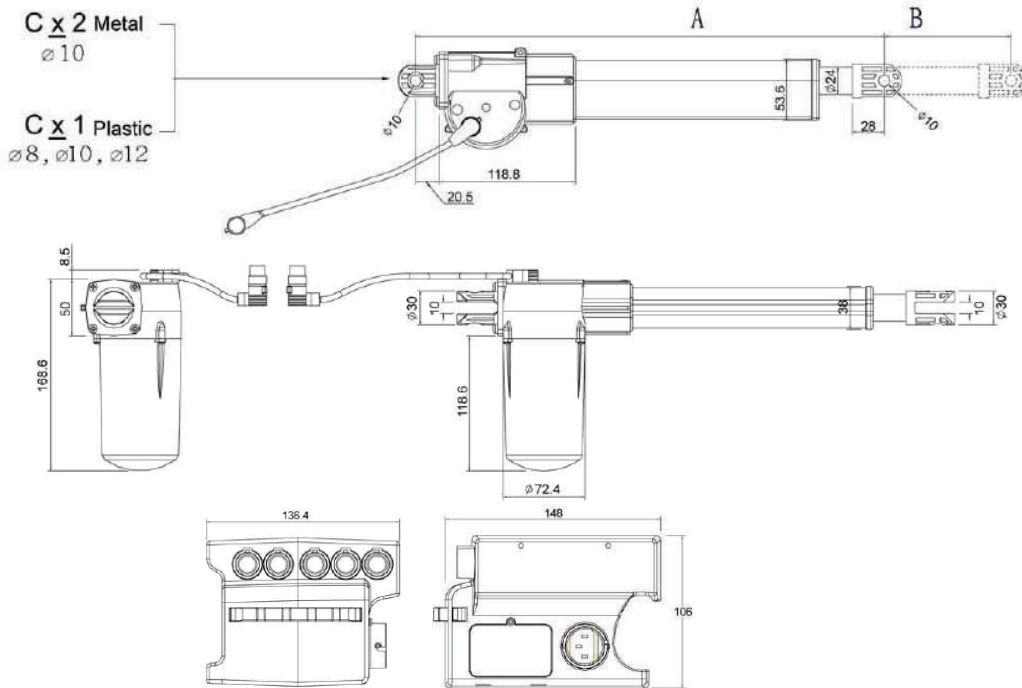


Technical Specification

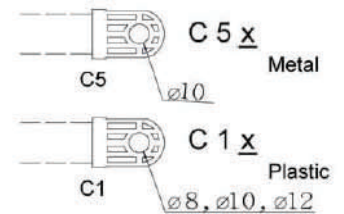
Input Voltage	Max. Load Capacity (Push)	Max. Load Capacity (Pull)	Speed at Full Load	Max. Speed	Max. Stroke Length
V	N	N	mm/sec.	mm/sec.	mm
12/24	6000	4000	4.7	8.3	300

Drawing

Rear Connector



Front Connector



Stroke	A	B
mm	mm	mm
50	228	278
100	278	378
150	338	488
200	388	588
250	448	698
300	498	798

Model Number Explanation

L	D	02	—	XX	XXX	—	XXXX	XXXX	—	XX
				Voltage 12:12V 24:24V	Stoke Length 050: 50mm ... 300:300mm		Rear Mounting Option C081: Cx1 Ø 8 C101: Cx1 Ø 10 C121: Cx1 Ø 12 C102: Cx2 Ø 10	Front Mounting Option C108: C1x Ø 8 C110: C1x Ø 10 C112: C1x Ø 12 C510: C5X Ø 10		Option H: Hall Effect Sensor, H2: Dual hall Effect Sensor S: Safety Nut