

# Linear PM Stepper



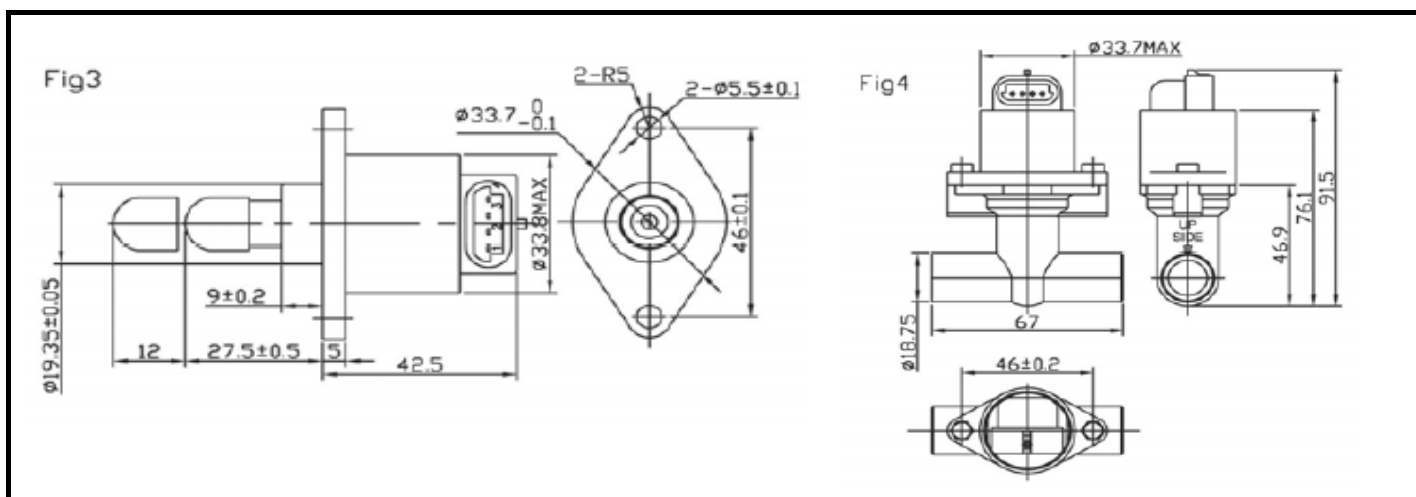
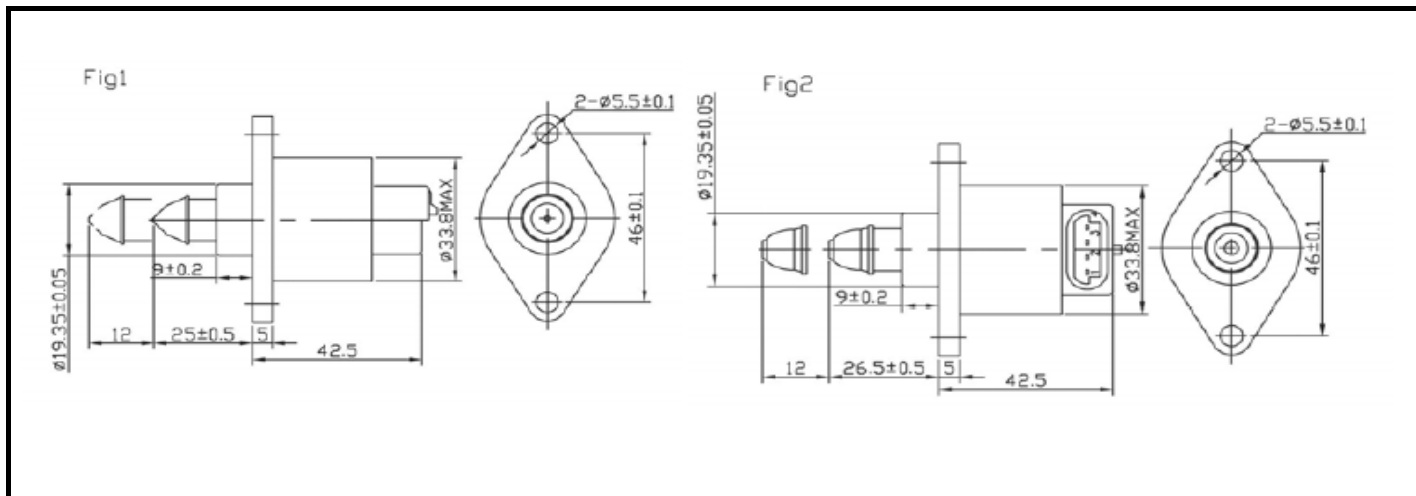
Frame Size 35mm- Captive and External

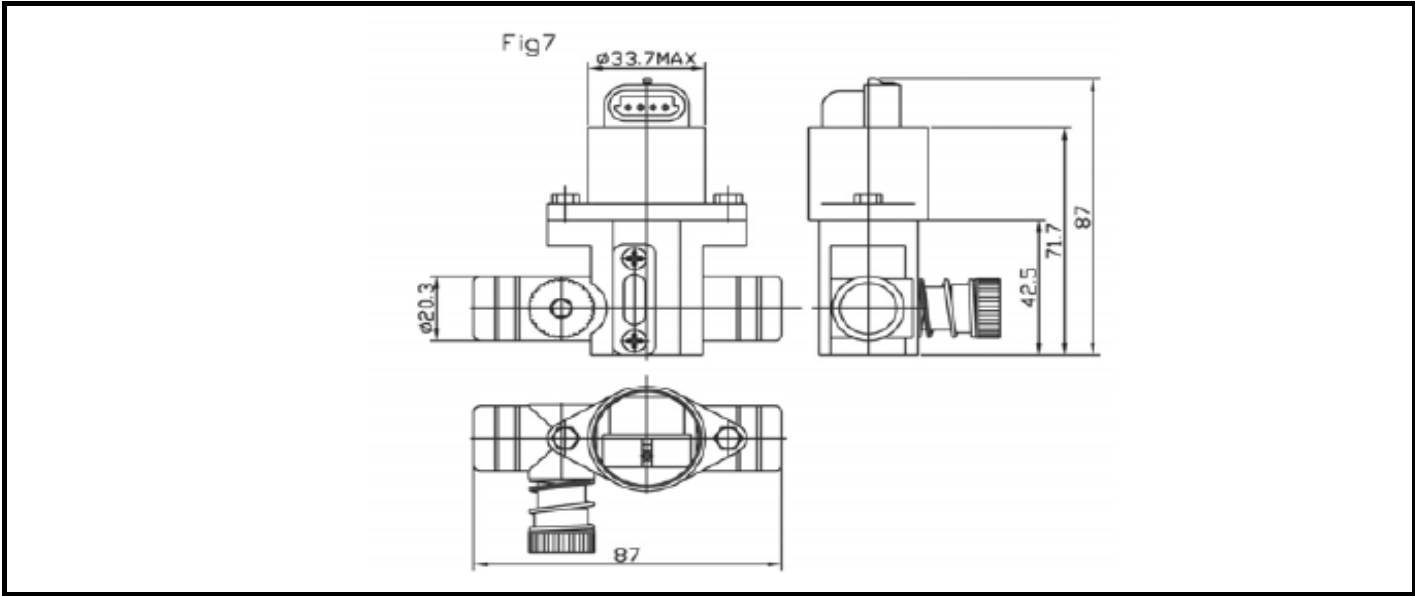
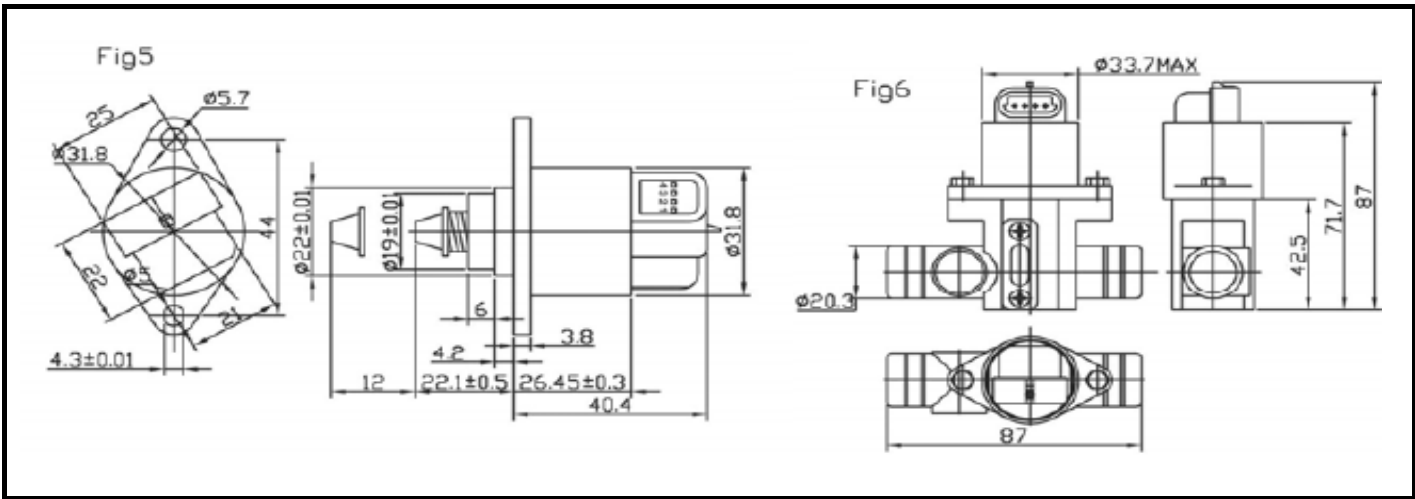


## Specification

Model	Step Angle (Degree)	No. of Phase	Voltage (V)	Current (A)	Resistance (Ω)	Step Avail (mm)	Push Torque (N)	Journey (mm)	Inductance (mH)	Wdg	Fig
LM35PM150-23-01	15	2	12	0.23	53	0.0417	25	12	23.4	a	1
LN35PM150-23-09	15	4	12	0.23	53	0.0417	25	12	23.4	a	2
LN35PM150-23-10	15	4	12	0.23	53	0.0417	25	12	23.4	a	3
LN35PM150-23-10T	15	2	12	0.23	53	0.0417	25	12	23.4	a	4
LN35PM150-23-01TA	15	2	12	0.23	53	0.0417	25	12	23.4	a	6
LN35PM150-23-01TB	15	2	12	0.23	53	0.0417	25	12	23.4	a	7

## Outline Drawing





**Wiring Diagram**

