

Linear PM Stepper



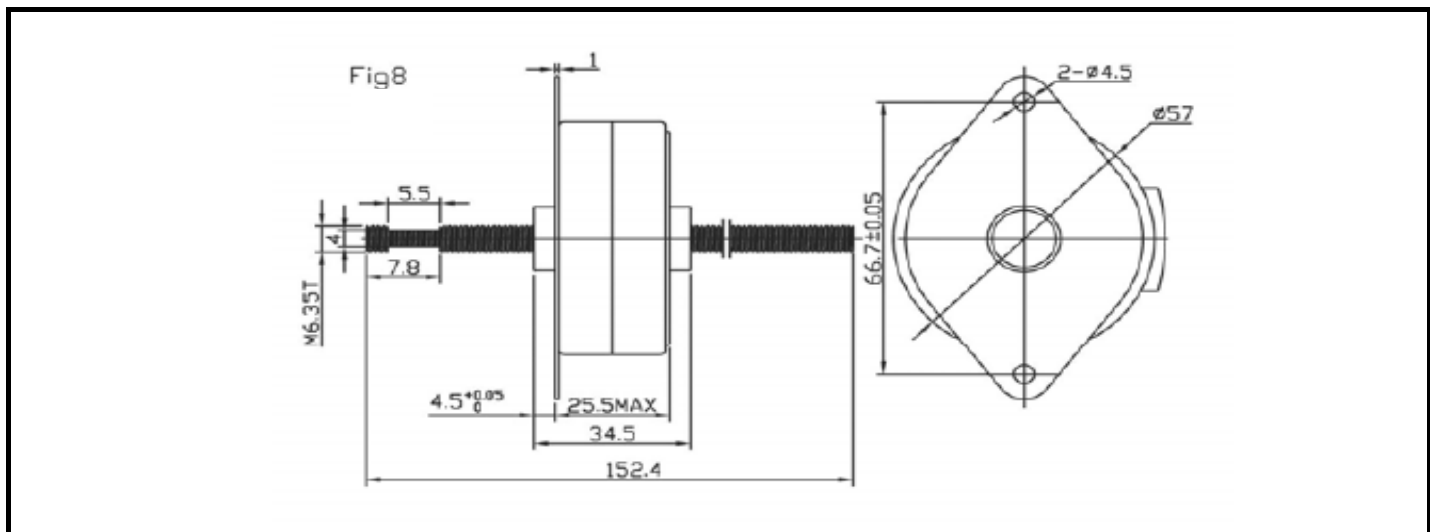
Frame Size 57mm - Captive and External



Specification

Model	Step Angle	No. of Phase	Voltage (V)	Current (A)	Resistance (Ω)	Step Avail (mm)	Push Torque (N)	Journey (mm)	Inductance (mH)	Wdg	Fig
	(Degree)										
LN57PM150-23-01	15	4	12	0.23	25	0.025	31	12	29	c	4

Outline Drawing



Wiring Diagram

