

4T11018 Series



Specifications

2-phase High Torque Stepping Motors (Frame Size: 110mm, NEMA Size 42)

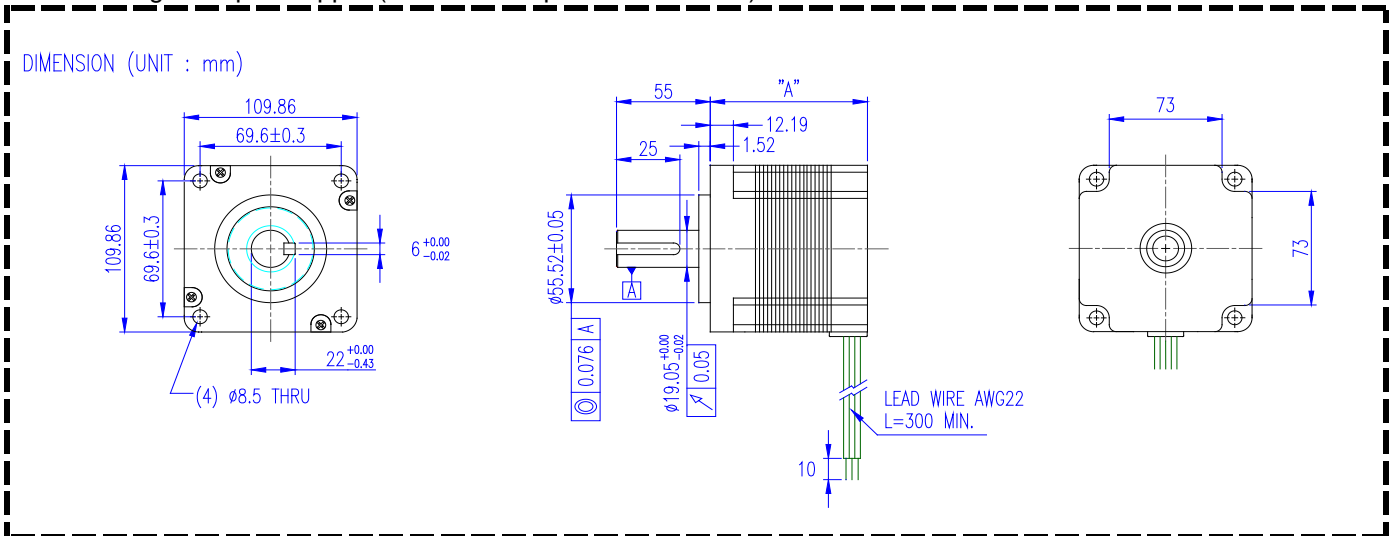
Part #	Step Angle (degrees)	Leads	Holding Torque Minimum (Kg-cm)	Voltage (Volts)	Rated Current (A/Ph.)	Resistance (Ohms/Ph.)	Inductance (mH/Ph.)	Rotor Inertia (g-cm ²)	Motor Weight (grams)
4T11018S5504	1.8	4	117.30	3.2	5.50	0.58	10.1	5500	5000

Part #	Step Angle (degrees)	Leads	Holding Torque Minimum (Kg-cm)	Voltage (Volts)	Rated Current (A/Ph.)	Resistance (Ohms/Ph.)	Inductance (mH/Ph.)	Rotor Inertia (g-cm ²)	Motor Weight (grams)
4T11018M6504	1.8	4	224.40	3.9	6.50	0.6	12.8	10900	8400

Part #	Step Angle (degrees)	Leads	Holding Torque Minimum (Kg-cm)	Voltage (Volts)	Rated Current (A/Ph.)	Resistance (Ohms/Ph.)	Inductance (mH/Ph.)	Rotor Inertia (g-cm ²)	Motor Weight (grams)
4T11018L8004	1.8	4	306.00	4	8.00	0.5	11	16200	11700

Outline Drawing

4T11018 High Torque Stepper (Shown with optional rear shaft)



SPEC.	DIM. A
S	99
M	150
L	201

