

# 4T2818 Series



## Specifications

### 2-phase High Torque Stepping Motors (Frame Size: 28mm, NEMA Size 11)

Part #	Step Angle (degrees)	Leads	Holding Torque Minimum (Kg-cm)	Voltage (Volts)	Rated Current (A/Ph.)	Resistance (Ohms/Ph.)	Inductance (mH/Ph.)	Rotor Inertia (g-cm <sup>2</sup> )	Motor Weight (grams)
4T2818S1304	1.8	4	0.70	1.82	1.30	1.4	1.1	9	110
4T2818S0674	1.8	4	0.70	3.8	0.67	5.6	4.2	9	110
4T2818S0254	1.8	4	0.60	9	0.25	36	21	9	110
4T2818S0504	1.8	4	0.60	5	0.50	10	6.4	9	110
4T2818S1004	1.8	4	0.60	2.5	1.00	2.5	1.6	9	110
4T2818S0956	1.8	6	0.50	2.66	0.95	2.8	1	9	110
4T2818S0256	1.8	6	0.35	7	0.25	28	9	9	110
4T2818S0506	1.8	6	0.35	3.5	0.50	7.1	2.3	9	110

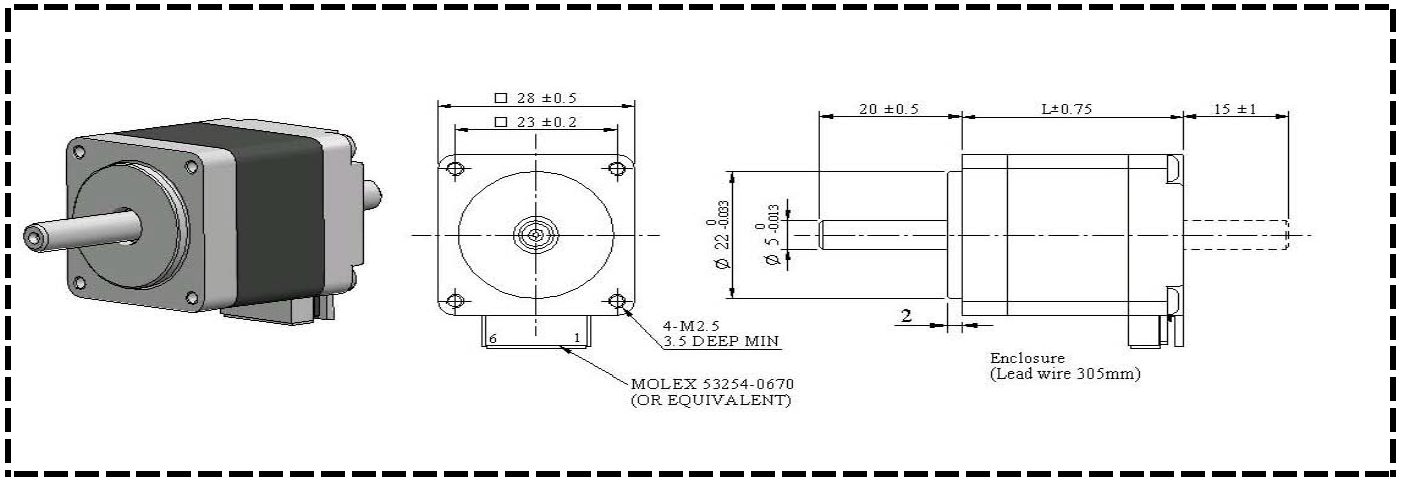
Part #	Step Angle (degrees)	Leads	Holding Torque Minimum (Kg-cm)	Voltage (Volts)	Rated Current (A/Ph.)	Resistance (Ohms/Ph.)	Inductance (mH/Ph.)	Rotor Inertia (g-cm <sup>2</sup> )	Motor Weight (grams)
4T2818M0674	1.8	4	1.00	4.6	0.67	6.8	6	12	150
4T2818M0956	1.8	6	0.76	3.4	0.95	3.4	1.5	12	150

Part #	Step Angle (degrees)	Leads	Holding Torque Minimum (Kg-cm)	Voltage (Volts)	Rated Current (A/Ph.)	Resistance (Ohms/Ph.)	Inductance (mH/Ph.)	Rotor Inertia (g-cm <sup>2</sup> )	Motor Weight (grams)
4T2818G1304	1.8	4	1.10	1.95	1.30	1.7	1.2	14	170
4T2818G0674	1.8	4	1.00	3.75	0.67	5.6	4.4	14	170
4T2818G0956	1.8	6	0.75	2.7	0.95	2.8	1.1	14	170

Part #	Step Angle (degrees)	Leads	Holding Torque Minimum (Kg-cm)	Voltage (Volts)	Rated Current (A/Ph.)	Resistance (Ohms/Ph.)	Inductance (mH/Ph.)	Rotor Inertia (g-cm <sup>2</sup> )	Motor Weight (grams)
4T2818L1304	1.8	4	1.20	3	1.30	2.3	1.4	17	195
4T2818L0674	1.8	4	1.30	6.2	0.67	9.2	6.8	17	195
4T2818L0254	1.8	4	1.00	13	0.25	51.8	30.5	17	195
4T2818L0504	1.8	4	1.20	6.2	0.50	12.7	8	17	195
4T2818L1004	1.8	4	1.20	3.5	1.00	3.5	2.3	17	195
4T2818L0956	1.8	6	0.95	4.4	0.95	4.6	1.7	17	195
4T2818L0506	1.8	6	0.63	5.5	0.50	11	3	17	195
4T2818L1006	1.8	6	0.63	2.6	1.00	2.6	0.8	17	195

## Outline Drawing

4T2818 Standard Torque Stepper (Shown with optional rear shaft and encoder mounting holes)



SPEC.	DIM. "L"
S	31.5
M	39.5
G	44.5
L	50.5

**TELCO** *Motion*<sup>™</sup>  
POWERING YOUR DESIGN