

# PM Stepper Motor



2P06180-010

## General specification

Step angle accuracy	+/- 10% (full step, no load)
Resistance accuracy	+/-10%
Inductance accuracy	+/- 20%
Temperature rise	80°C Max. ( Rated current, 2 phase on)
Ambient temperature	20°C ~+ 50°C
Insulation resistance	100MΩ Min, 500VDC
Dielectric strength	500VAC / minute
Shaft Radial play	0.06 Max. ( 450g-load)
Shaft Axial play	0.08 Max. ( 450g-load)
Insulation Class	E for Coils



## Specification

Model	Voltage	Phase	Current	Step angle	Resistance at 25C	Holding torque	Pull in Torque	Pull out Torque
	(v)		(A)	(degree)	(Ω)	( min. gf.cm)	( min. gf.cm)	( min. gf.cm)
2P06180-010	4	2	0.1	18				

## Outline Drawing

Dimension ( Units:mm )

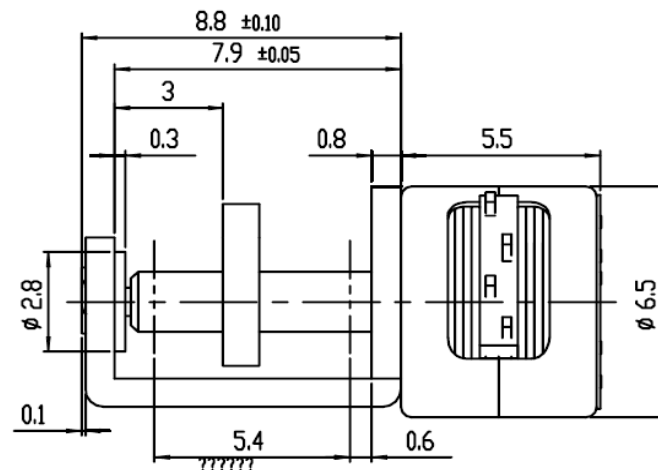
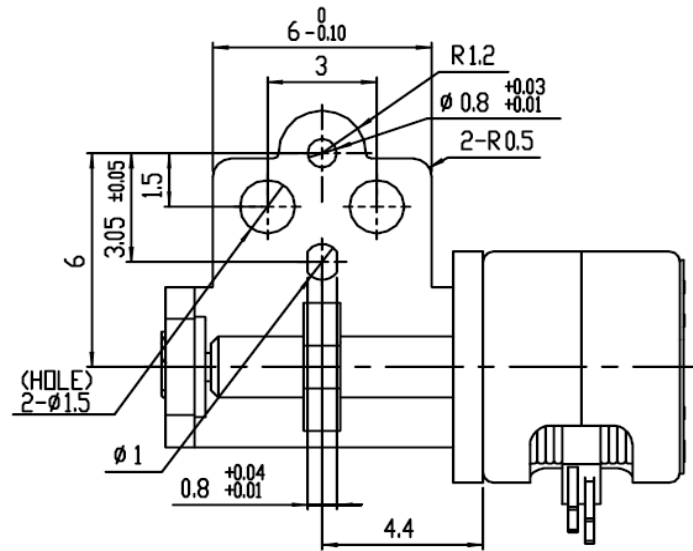
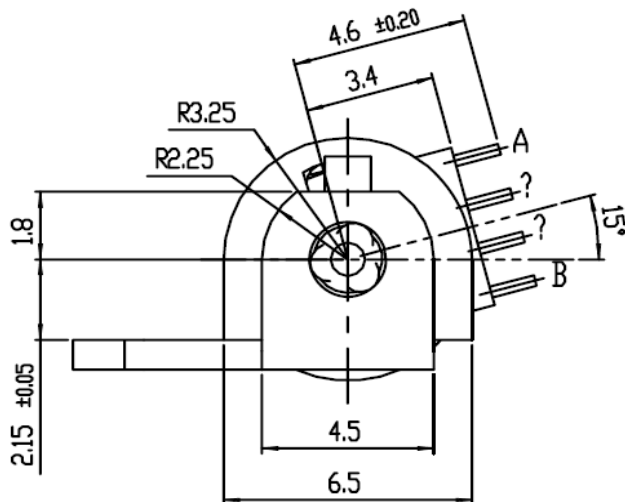
### CONNECTION DIAGRAM



### SEQUENCE OF EXCITATION

STEP	1	2	3	4
A	H	H	L	L
Ā	L	L	H	H
B	L	H	H	L
B̄	H	L	L	H

OUTPUT SHAFT ROTATION CCW



UNLESS OTHERWISE SPECIFIED ±0.3

