

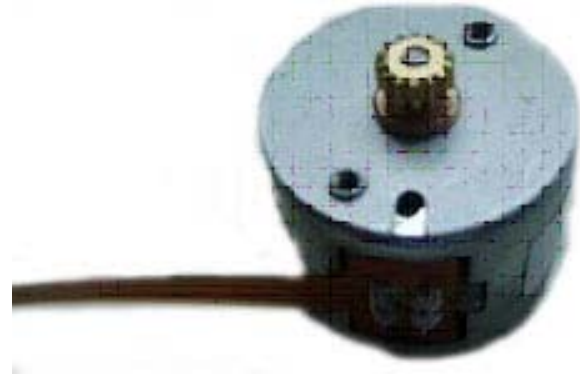
PM Stepper Motor



2P20180-055

General specification

Step angle accuracy	+/- 8% (full step, no load)
Resistance accuracy	+/-7%
Inductance accuracy	+/- 20%
Temperature rise	80°C Max. (Rated current, 2 phase on)
Ambient temperature	20°C ~+ 50°C
Insulation resistance	100MΩ Min, 500VDC
Dielectric strength	500VAC / minute
Shaft Radial play	0.06 Max. (450g-load)
Shaft Axial play	0.08 Max. (450g-load)
Insulation Class	E for Coils

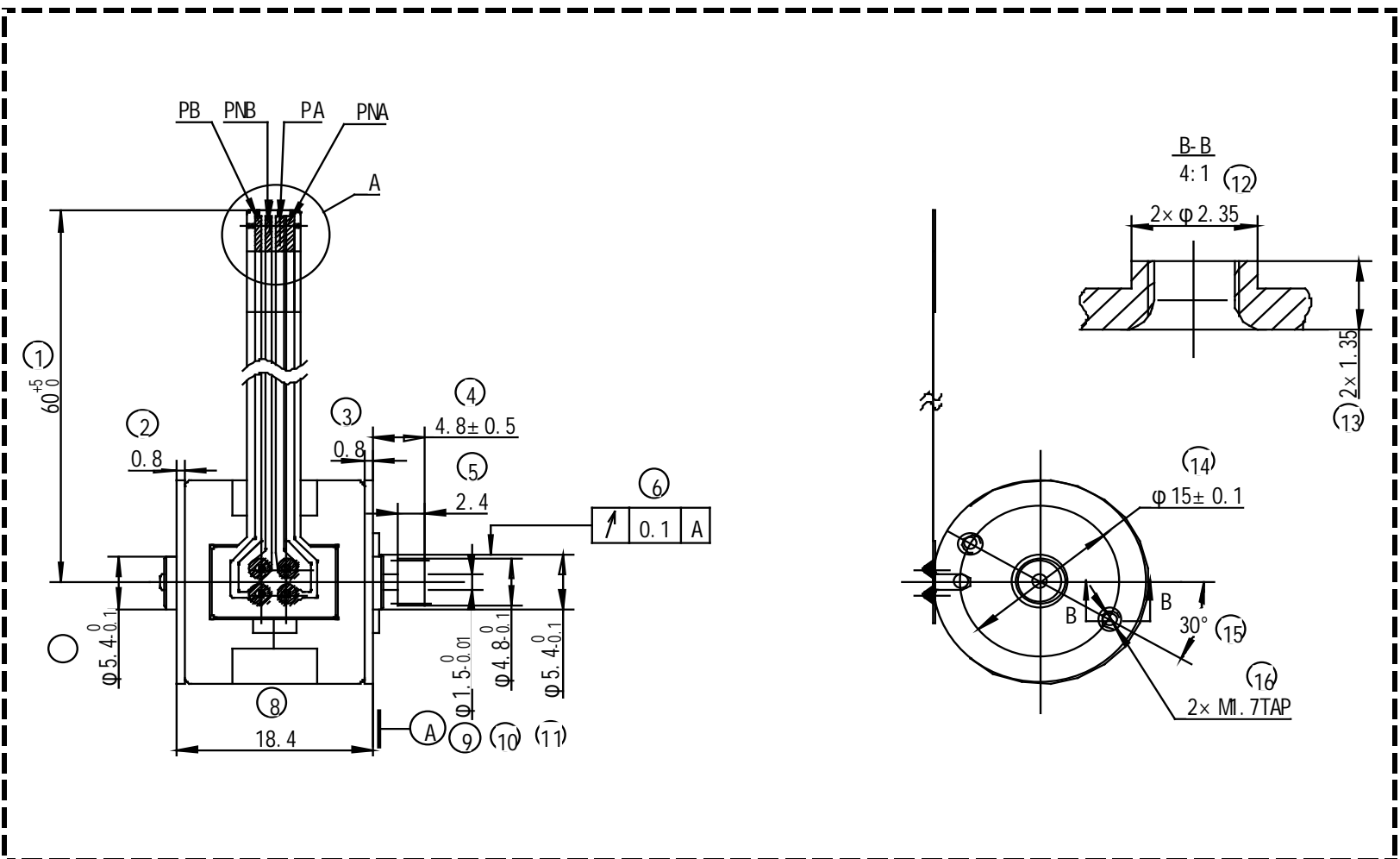


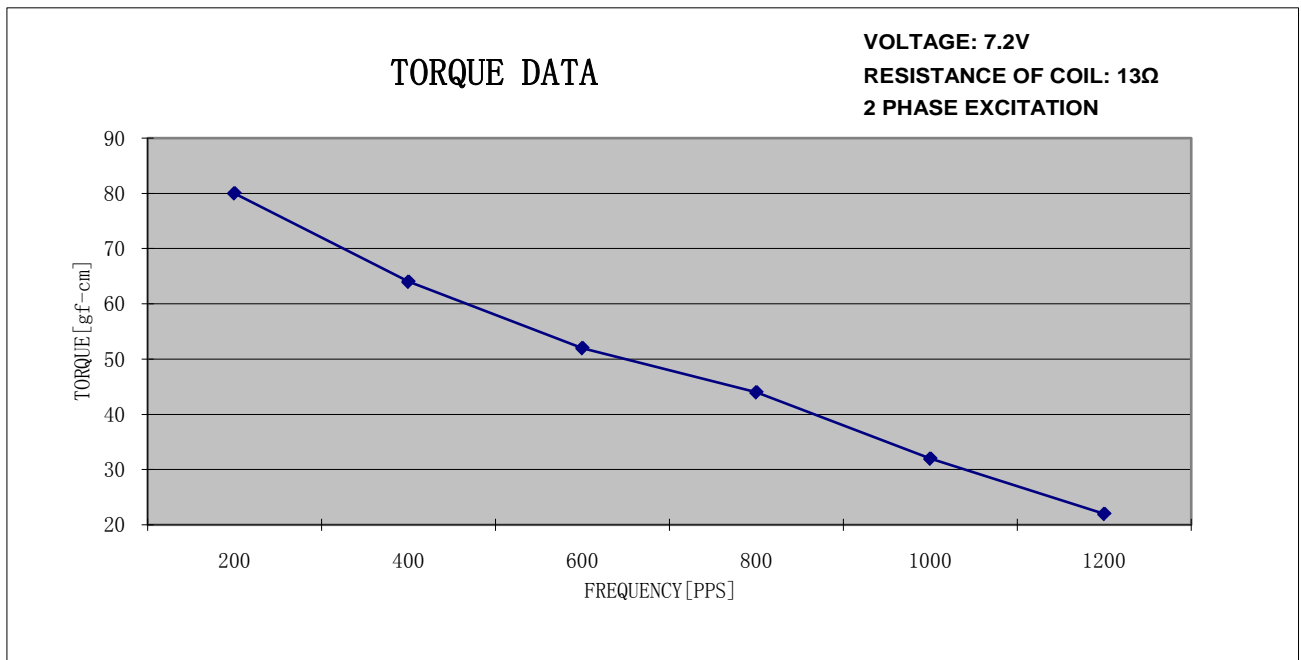
Specification

Model	Voltage	Phase	Current	Step angle	Resistance at 25C	Holding torque	Pull in Torque	Pull out Torque
	(v)		(A)	(degree)	(Ω)	(min. gf.cm)	(min. gf.cm)	(min. gf.cm)
2P20180-055	7.2	2	0.55	18	13	85		30

Outline Drawing

Dimension (Units:mm)





Frequency (pps)	Pull Out Torque (gf-cm)
200	80
400	64
600	52
800	44
1000	32
1200	22

