

PM Stepper Motor



2P25150-025

General specification

Step angle accuracy	+/- 8% (full step, no load)
Resistance accuracy	+/-7%
Inductance accuracy	+/- 20%
Temperature rise	80°C Max. (Rated current, 2 phase on)
Ambient temperature	20°C ~+ 50°C
Insulation resistance	100MΩ Min, 500VDC
Dielectric strength	500VAC / minute
Shaft Radial play	0.06 Max. (450g-load)
Shaft Axial play	0.08 Max. (450g-load)
Insulation Class	E for Coils

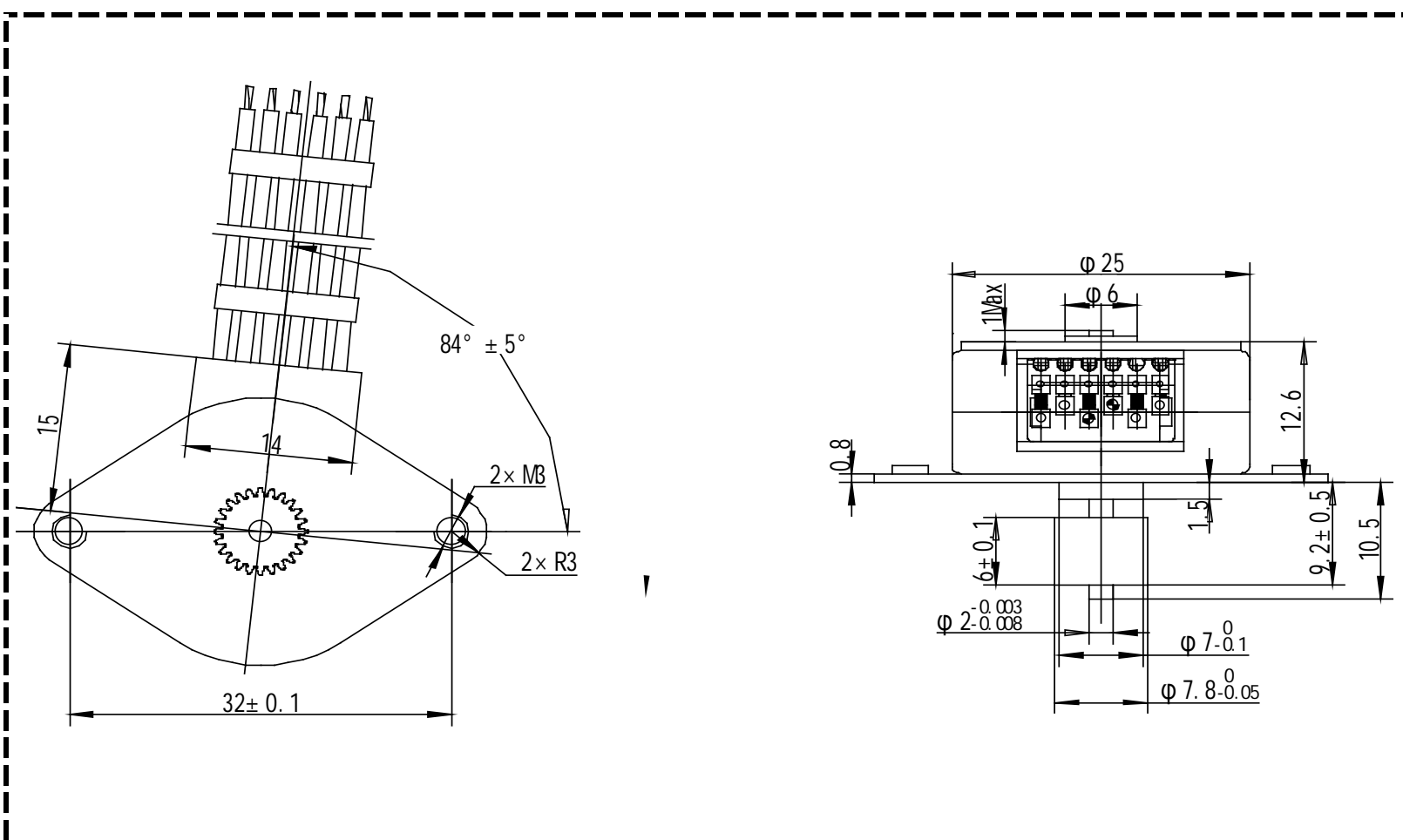


Specification

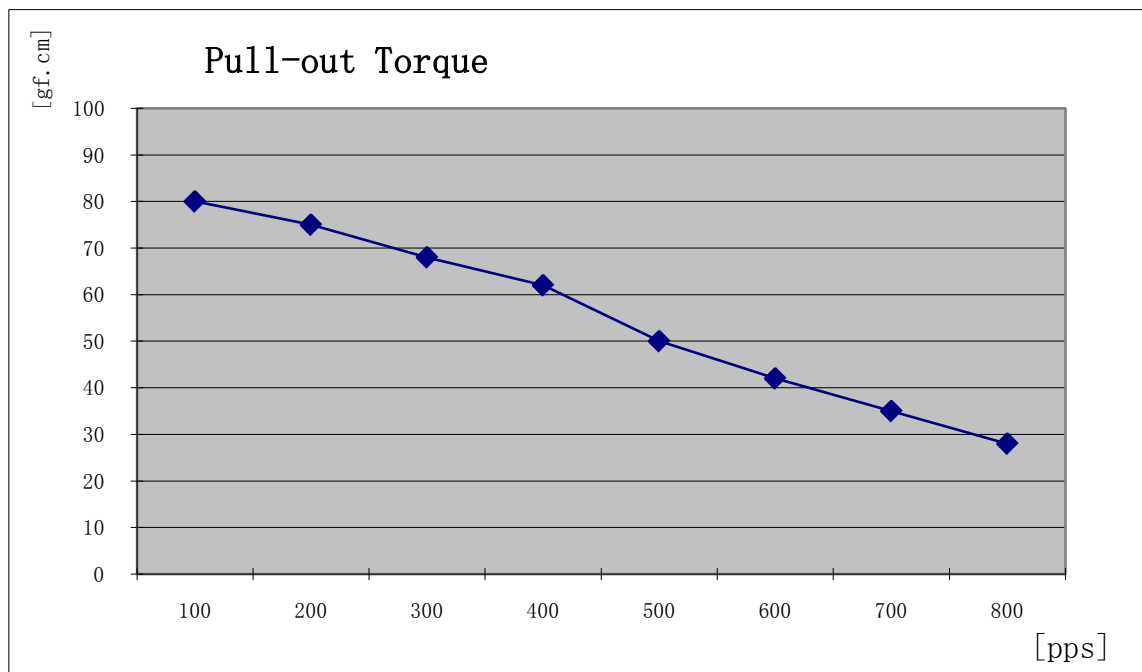
Model	Voltage	Phase	Current	Step angle	Resistance at 25C	Holding torque	Pull in Torque	Pull out Torque
	(v)		(A)	(degree)	(Ω)	(min. gf.cm)	(min. gf.cm)	(min. gf.cm)
2P25150-025	15	2	0.25	15	60	110	60	30

Outline Drawing

Dimension (Units:mm)



Performance Curve



Frequency (pps)	Pull Out Torque (gf-cm)
100	80
200	75
300	68
400	62
500	50
600	42
700	35
800	28

