

4H11072 Series



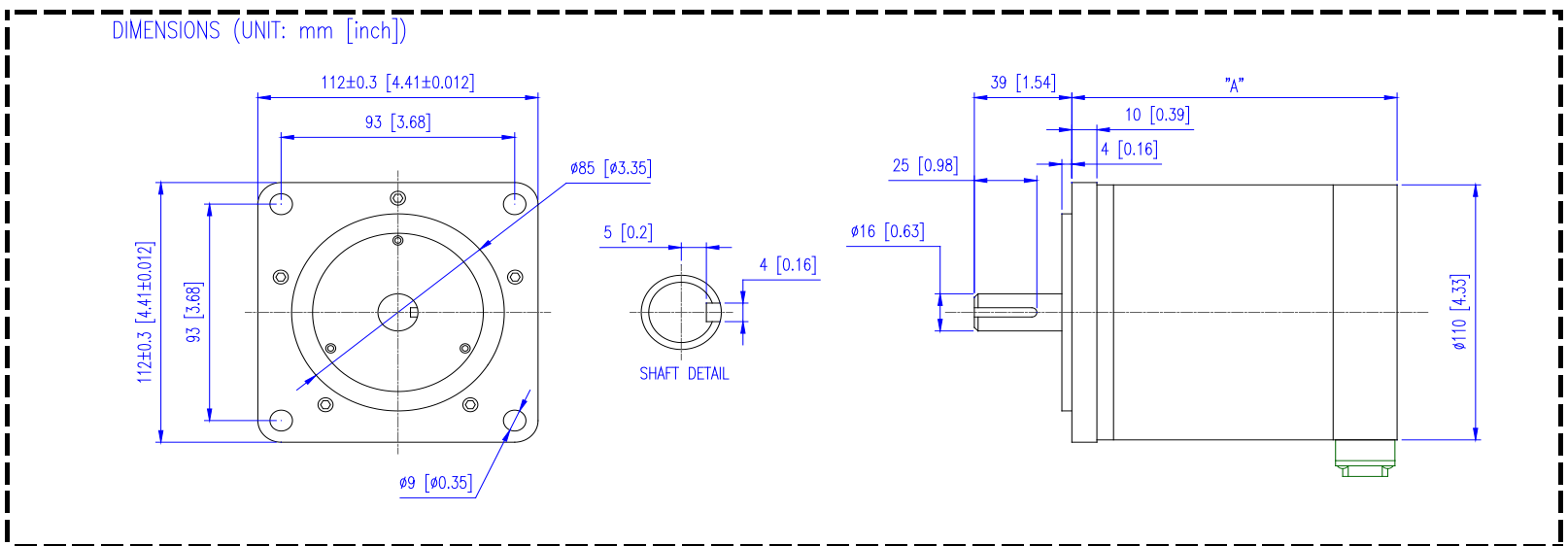
Specifications

0.72 Degree High Torque Stepping Motors (Frame Size: 110mm, NEMA Size 42)

Part #	No. of Phase	Step Angle (degrees)	Holding Torque Minimum (Kg-cm)	Voltage (Volts)	Rated Current (A/Ph.)	Length	Rotor Inertia (g-cm ²)		
4H11072S	5	0.72	101.97	120-310	3.00	144	11		
4H11072M	5	0.72	163.15	120-310	5.00	189	15		
4H11072L	5	0.72	203.94	120-310	5.00	231	18		

Outline Drawing

4H11072 Conventional Hybrid Stepper (Shown with optional rear shaft and encoder mounting holes)



SPEC.	DIM. L (mm)
S	144
M	189
L	231



4H11012Series



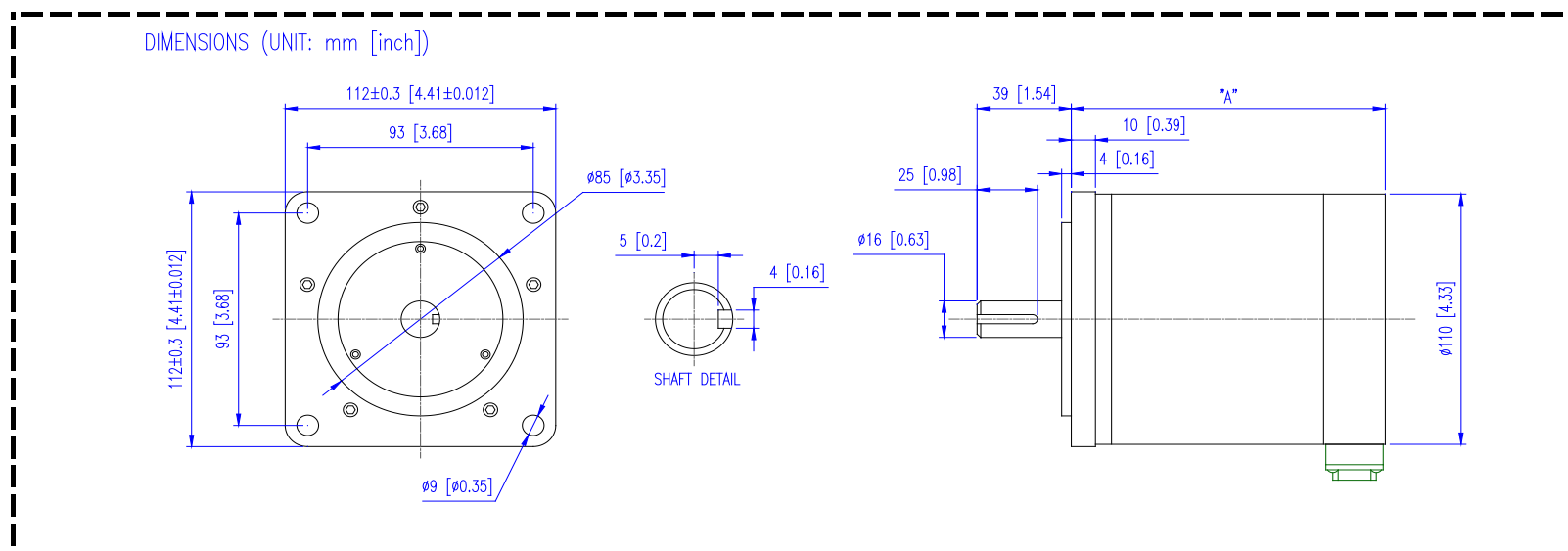
Specifications

1.2 Degree High Torque Stepping Motors (Frame Size: 110mm, NEMA Size 42)

Part #	No. of Phase	Step Angle (degrees)	Holding Torque Minimum (Kg-cm)	Voltage (Volts)	Rated Current (A/Ph.)	Length	Rotor Inertia (g-cm ²)		
4H11012S	3	1.2	81.58	120-310	3.00	100	6		
4H11012M	3	1.2	122.37	120-310	3.00	144	11		
4H11012L	3	1.2	163.15	120-310	3.00	182	15		
4H11012G	3	1.2	203.94	120-310	3.00	261	18		

Outline Drawing

4H11012 Conventional Hybrid Stepper (Shown with optional rear shaft and encoder mounting holes)



SPEC.	DIM. L (mm)
S	100
M	144
L	182
G	261

4H11015 Series



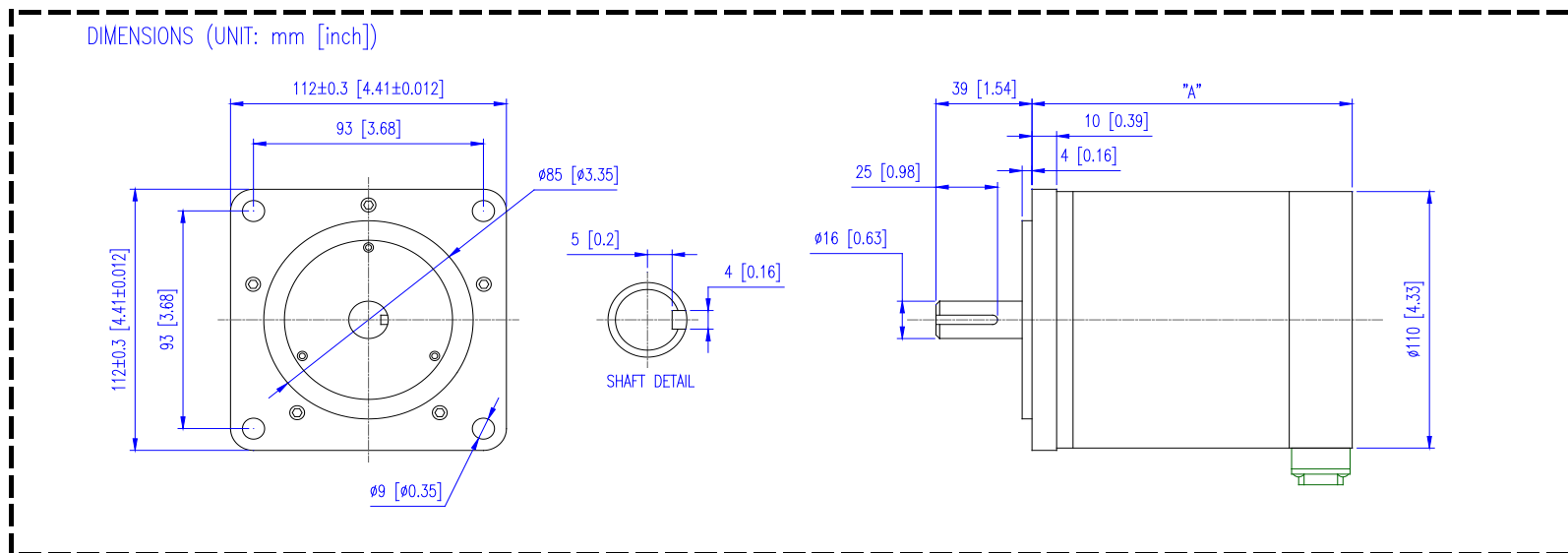
Specifications

1.5 Degree High Torque Stepping Motors (Frame Size: 110mm, NEMA Size 42)

Part #	No. of Phase	Step Angle (degrees)	Holding Torque Minimum (Kg-cm)	Voltage (Volts)	Rated Current (A/Ph.)	Length	Rotor Inertia (g-cm ²)		
4H11015S	2	1.5	81.58	120-310	4.00	86	6		
4H11015M	2	1.5	122.37	120-310	4.00	142	11		
4H11015L	2	1.5	203.94	120-310	5.00	184	15		

Outline Drawing

4H11015 Conventional Hybrid Stepper (Shown with optional rear shaft and encoder mounting holes)



SPEC.	DIM. L (mm)
S	86
M	142
L	184



4H11018 Series



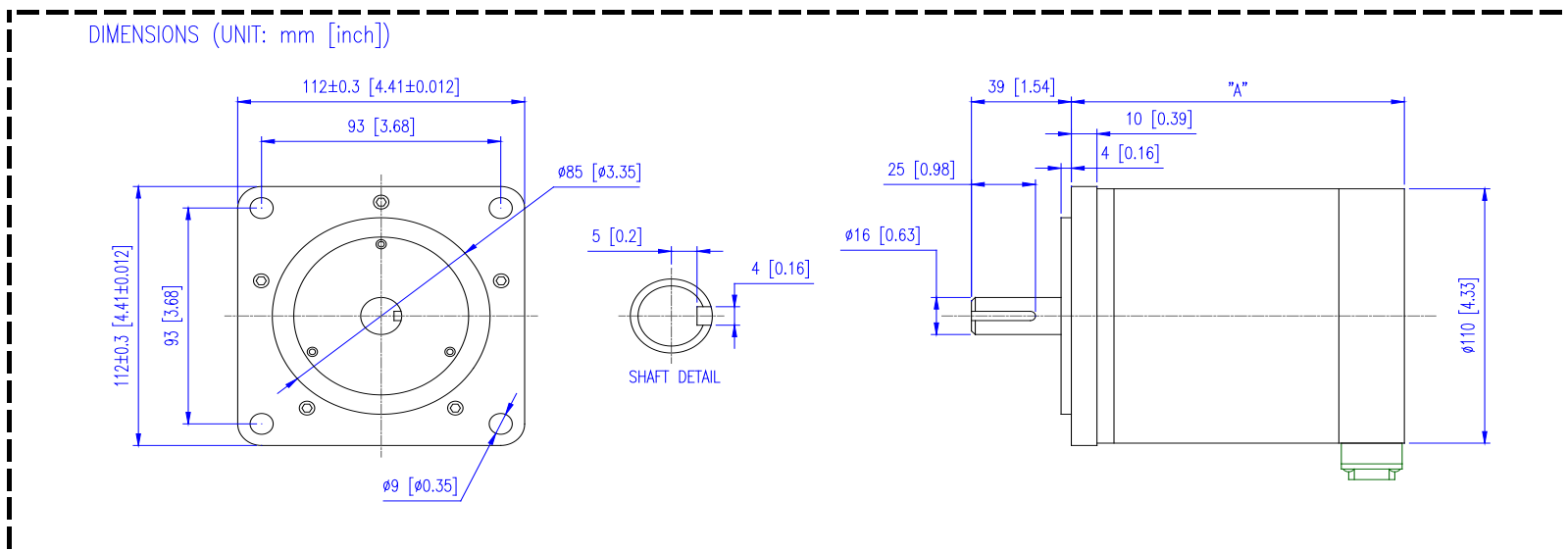
Specifications

1.8 Degree High Torque Stepping Motors (Frame Size: 110mm, NEMA Size 42)

Part #	No. of Phase	Step Angle (degrees)	Holding Torque Minimum (Kg-cm)	Voltage (Volts)	Rated Current (A/Ph.)	Length	Rotor Inertia (g-cm ²)		
4H11018S	2	1.8	81.58	120-310	4.00	86	6		
4H11018M	2	1.8	122.37	120-310	4.00	144	11		
4H11018L	2	1.8	203.94	120-310	5.00	182	15		

Outline Drawing

4H11018 Conventional Hybrid Stepper (Shown with optional rear shaft and encoder mounting holes)



SPEC.	DIM. L (mm)
S	86
M	144
L	182