

# 4H5609 Series



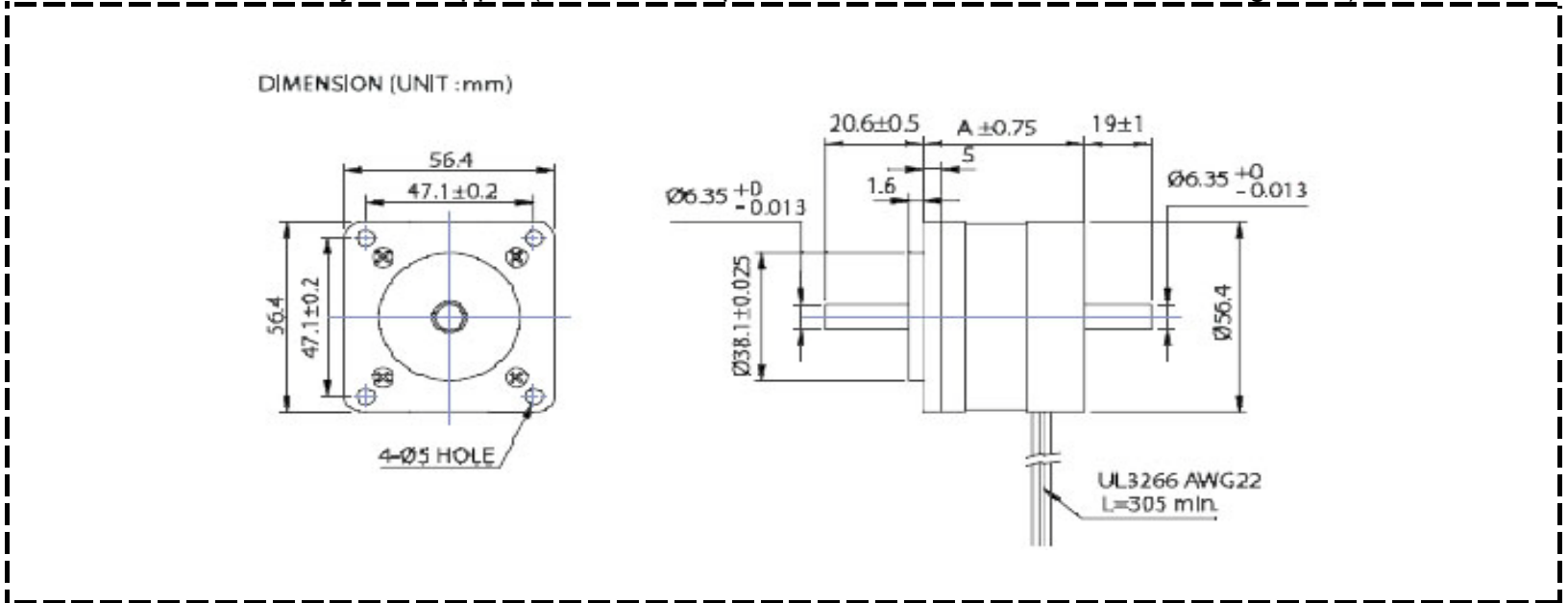
## Specifications

2-phase Standard Torque Stepping Motors (Frame Size: 56mm, NEMA Size 23)

Part #	Step Angle (degrees)	Leads	Holding Torque Minimum (Kg-cm)	Voltage (Volts)	Rated Current (A/Ph.)	Resistance (Ohms/Ph.)	Inductance (mH/Ph.)	Rotor Inertia (g-cm <sup>2</sup> )	Motor Weight (grams)
4H5609X0406	0.9	6	2.3	12	0.40	30	35	60	350
4H5609S0856	0.9	6	4.2	6	0.85	7.1	14	110	500
4H5609M1206	0.9	6	5.8	12	0.60	20	40	130	550
4H5609L1506	0.9	8	8.5	5.4	1.50	3.6	9.5	230	950

## Outline Drawing

4H5609 Conventional Hybrid Stepper (Shown with optional rear shaft and encoder mounting holes)



SPEC	DIM "A"
X	38.5
S	50.5
M	53.5
L	76



