

# 3H8612 Series



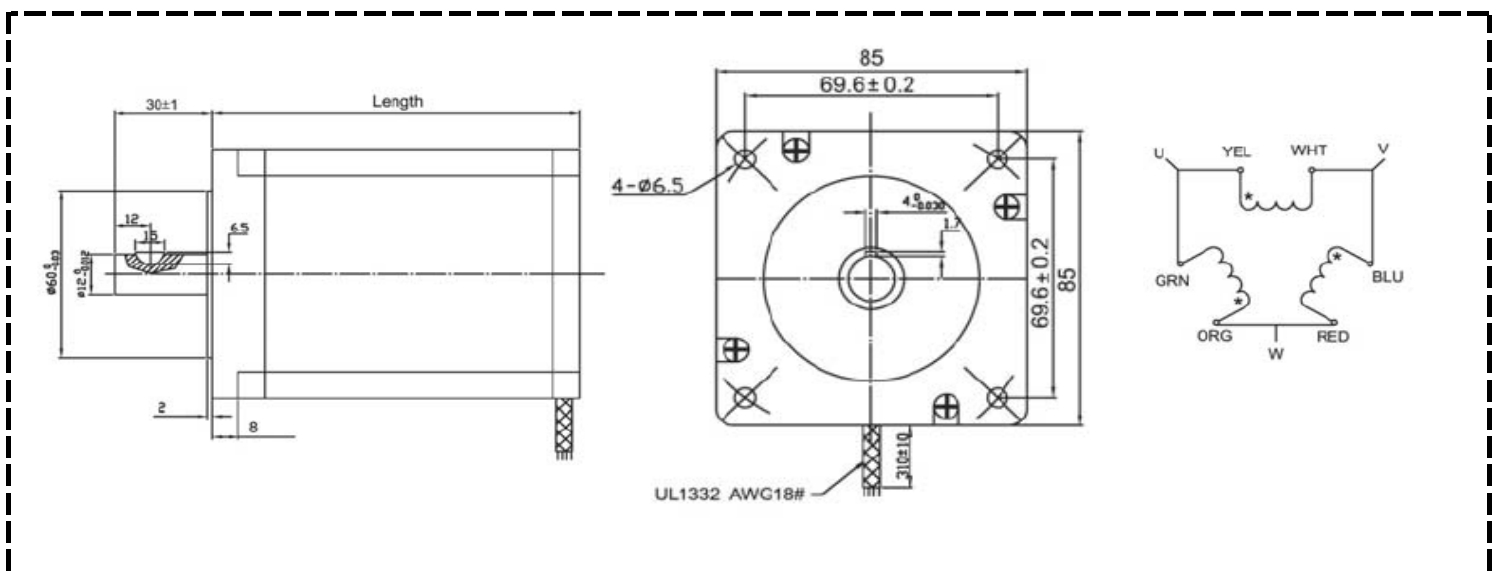
## Specifications

**3-phase Standard Torque Stepping Motors** (Frame Size: 86mm, NEMA Size 34)

Part #	Step Angle (degrees)	Holding Torque Minimum (Kg-cm)	Voltage (Volts)	Rated Current (A/Ph.)	Resistance (Ohms/Ph.)	Inductance (mH/Ph.)	Rotor Inertia (g-cm <sup>2</sup> )	Motor Weight (grams)
3H8612S175	1.2	23.06	325	1.750	4.25	12.3	1100	1.65
3H8612M200	1.2	46.09	325	2.000	5.4	23	2320	2.7
3H8612M580	1.2	46.09	40	5.800	0.9	3.2	2320	2.7
3H8612L225	1.2	69.14	325	2.250	9	41	3300	3.8
3H8612L520	1.2	69.14	40	5.200	2.75	13.7	3300	3.8

## Outline Drawing

3H8612 3-phase Torque Stepper (Shown with optional rear shaft and encoder mounting holes)



SPEC	DIM "A"
S	67
M	97
L	127

