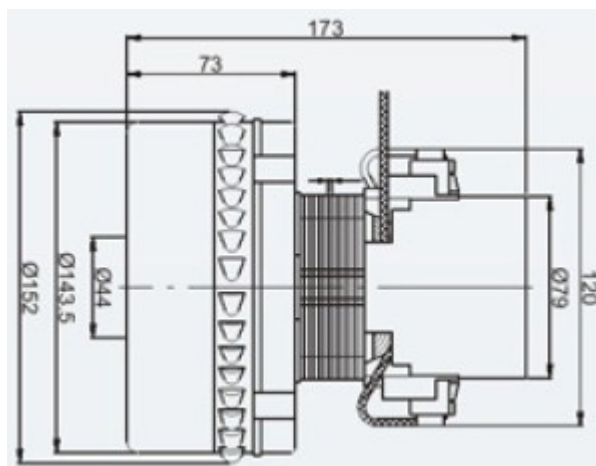


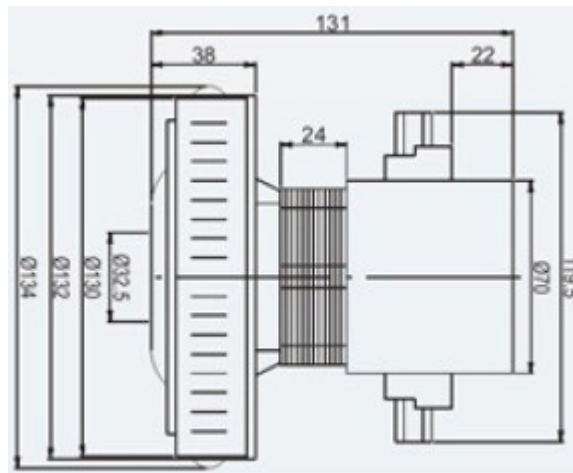
UV-144-73 Vacuum Motor



Technical Specification

Input Voltage	Frequency	Input Power	Vacuum	Air Flow	Efficiency	Insulation Class
V	Hz	W	kPa	M3/min	%	
100, 110, 120, 127, 220, 230, 240	50/60	800	14	2.0	20	A, E, B, F
		1000	16	2.4	20	A, E, B, F
		1200	18	2.8	22	A, E, B, F
		1400	20	3.2	22	A, E, B, F

UV-132-38 Vacuum Motor



Technical Specification

Input Voltage	Frequency	Input Power	Vacuum	Air Flow	Efficiency	Insulation Class
V	Hz	W	kPa	M3/min	%	
100, 110, 120, 127, 220, 230, 240	50/60	400	14	1.6	32	A, E, B, F
		600	16	1.9	32	A, E, B, F
		800	18	2.3	32	A, E, B, F
		1000	20	2.6	34	A, E, B, F
		1200	22	2.8	34	A, E, B, F