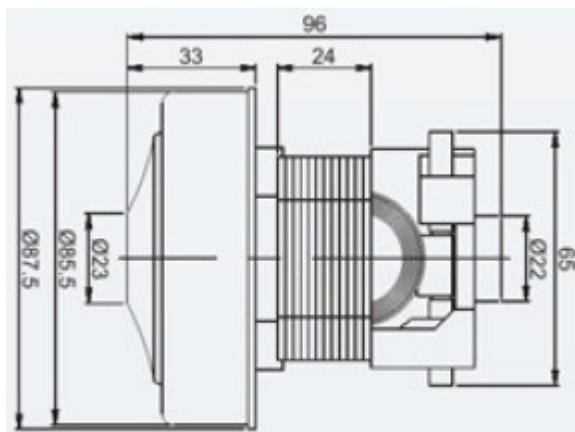
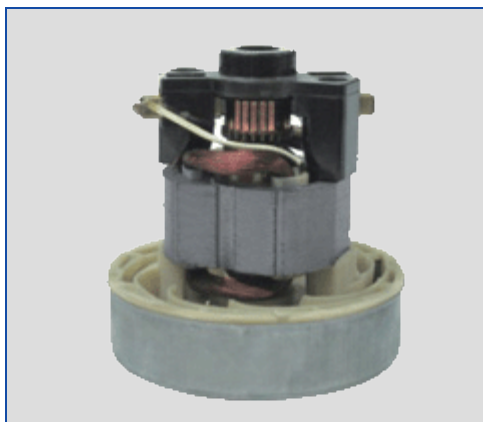


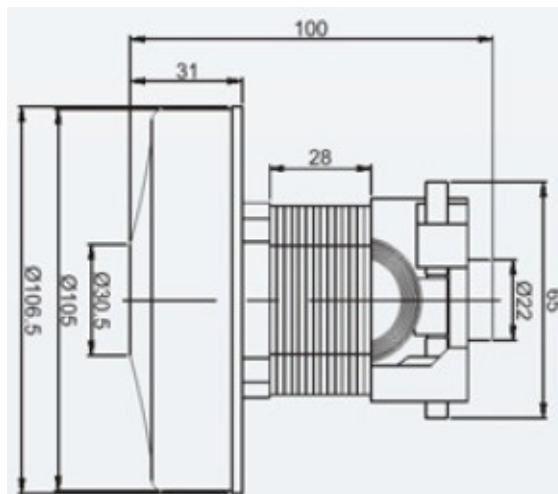
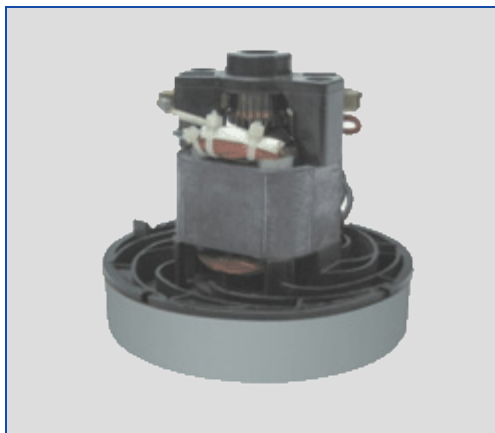
UV-86-33 Vacuum Motor



Technical Specification

Input Voltage	Frequency	Input Power	Vacuum	Air Flow	Efficiency	Insulation Class
V	Hz	W	kPa	M3/min	%	
100, 110, 120, 127, 220, 230, 240	50/60	180	6	1.1	28	A, E, B, F
		300	10	1.4	30	A, E, B, F
		250	11	1.5	32	A, E, B, F
		400	12	1.6	35	A, E, B, F
		500	13	1.7	35	A, E, B, F

UV-105-31 Vacuum Motor



Technical Specification

Input Voltage	Frequency	Input Power	Vacuum	Air Flow	Efficiency	Insulation Class
V	Hz	W	kPa	M3/min	%	
100, 110, 120, 127, 220, 230, 240	50/60	180	5	1.2	26	A, E, B, F
		300	8	1.5	28	A, E, B, F
		350	10	1.4	30	A, E, B, F
		400	11	1.5	32	A, E, B, F
		500	12	1.6	32	A, E, B, F