

Plastic Gearmotor



DC Plastic Gearmotor

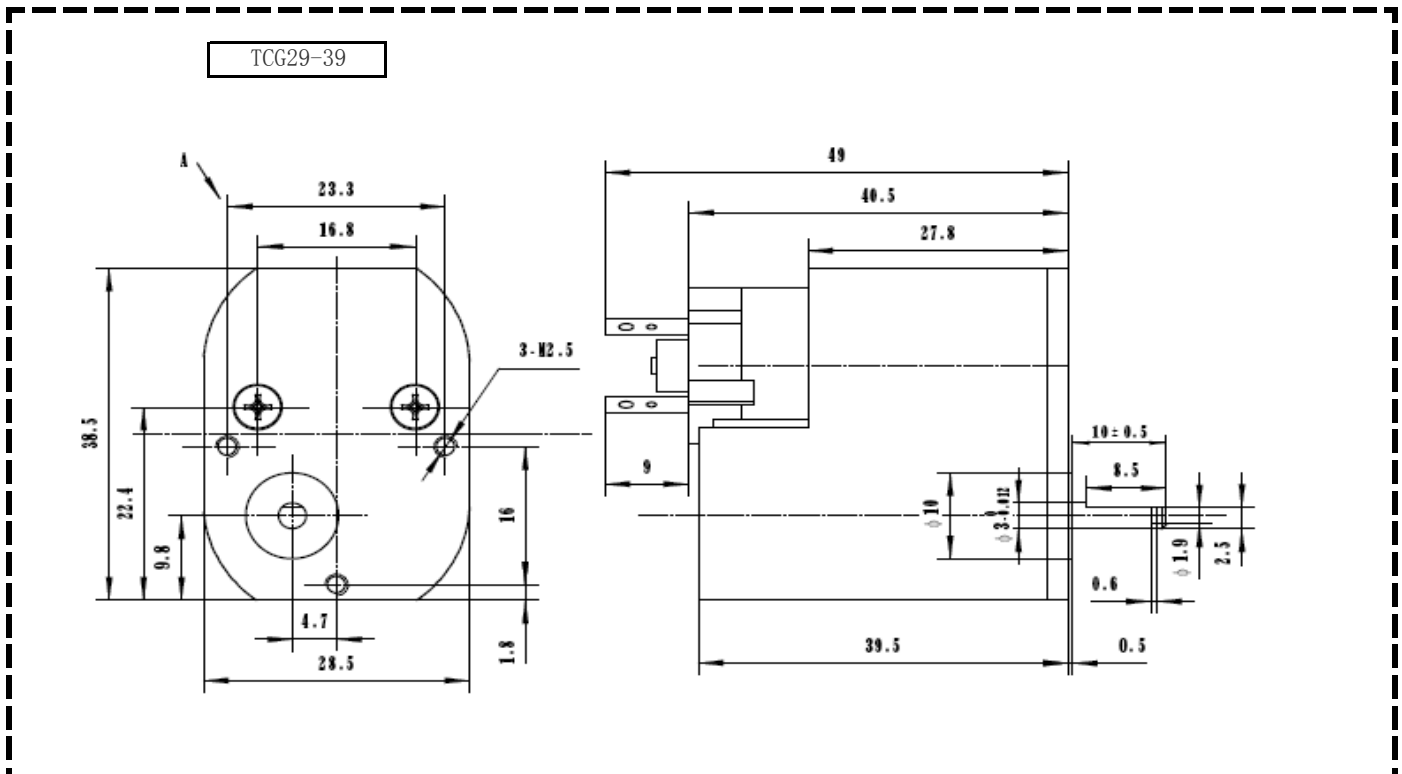


Specification

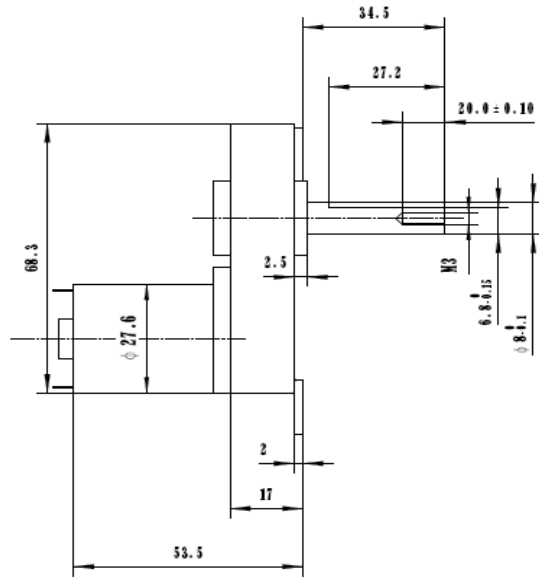
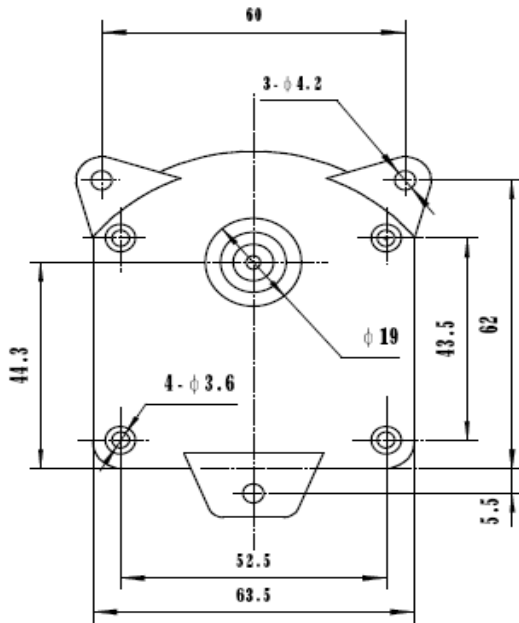
Model Number	Rate Voltage V(DC)	No load		Full Load		Reduction Ratio
		Current mA	Speed R.P.M	Torque N.cm	Current mA	
TCG29-39	6	125	44	15	280	116.9
TCG64-70	24	60	110	25	200	58
TCG64-90	24	100	22.5	25	300	17

*Only representative products listed in the Table

Outline Drawing



TCG64-70



TCG64-90

