

## DC Coreless Motor

### Maximum Sleeve Bearing Loads

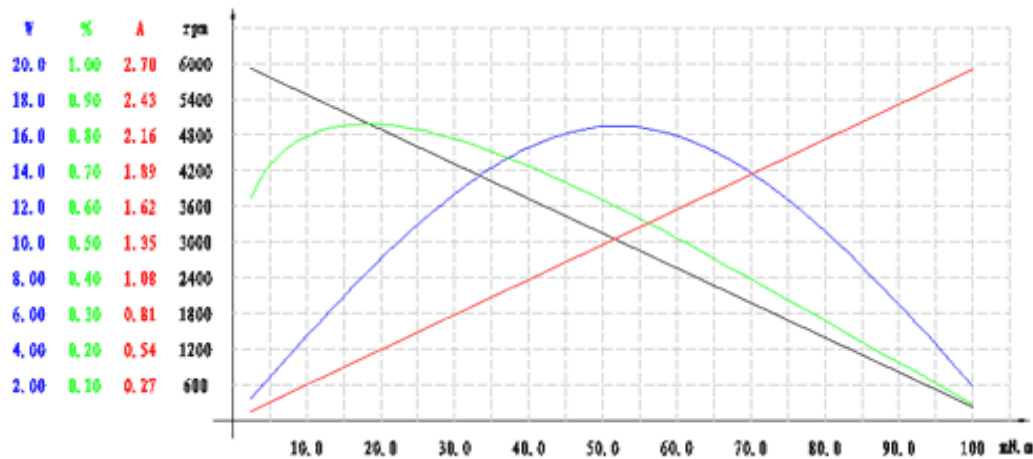
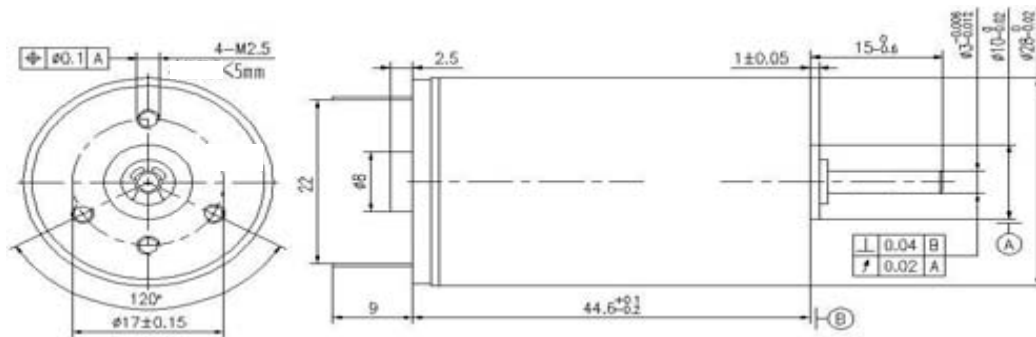
Axial (Dynamic)	≤1.7N
Radial (4mm From Jamming Ring)	≤5.5N
Press-Fit Force (Static)	≤80N
Axial Play (Measured Under Less Than 4N Axial Force)	0.05 - 0.15mm
Maximum Radial Play	0.02mm

Maximum Allowable Screw Depth into flange 2.5mm

### Motor data (at 25°C)

		CD28-0612	CD28-0918	CD28-1124	CD28-1136
Assigned power rating	W	6.0	8.5	11.0	11.0
Nominal voltage	V	12	18	24	36
Terminal resistance ±10%	Ω	1.67	4.32	6.68	15.3
No load speed ±10%	rpm	6020	6040	6040	5870
No load current	mA	40.0	20	17.1	11.3
Speed constant	rpm/V	502	336	252	163
Torque constant	mN.m/A	18.94	28.34	37.78	58.31
Starting current	mA	7186	4167	3593	2353
Stall torque	mN.m	136.09	118.07	135.75	137.21
Max. efficiency	%	86	87	87	87
Limits for continuous operating range	Current	mA	544	547	543
	Torque	mN.m	10.30	15.5	20.52
	Speed	rpm	5564	5247	5127
	Output power	W	6000	8512	11010
Max. permissible winding temperature	°C	+85	+85	+85	+85
Ambient temperature range	°C	-20 -- +65	-20 -- +65	-20 -- +65	-20 -- +65
Weight	g	122.6	122	122	122

### Drawings and performance Curve



### Note

- Motor data tested at ambient temperature 25°C. Data varies when the temperature changes.
- Motor service life different from operating conditions. In common condition, service life is achievable between approx. 1000 to 3000 hours.