

57mm Brushless DC Motor-IE



Specifications:

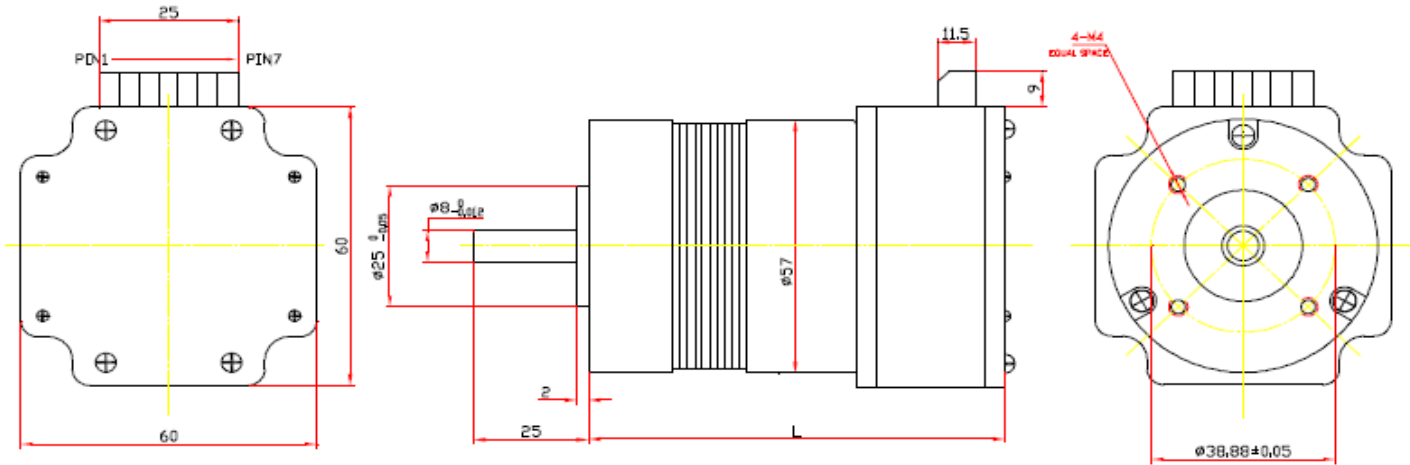
General Specifications

Number of phases	4
Number of poles	3
Operating temperature range	-30°C ~ 85°C
Commutation	Electrically commutated
Bearing type	Shielded ball bearings
Housing material	Black anodized aluminum
Magnet material	Sintered Nd-Fe-B
Direction of rotation	Reversible
Insulation Class	Class B (130°C max.)
Dielectric strength	500 VDC for one minute
Insulation resistance	100Mohms min., 500VDC
Max. axial force	15N
Max. radial force	75N@20mm from the flange
Radial play	0.025mm@450g
End play	0.025mm@450g
Shaft run out	0.025mm
Hall effect angle	120 degree electrical angle

Model		DN57102-36-I	DN57122-36-I	DN57162-36-I	DN57182-36-I	
Rated Voltage	V	36	36	36	36	
Rated Speed	RPM	4000	4000	4000	4000	
Rated Torque	mNm	110	220	320	440	
Output Power	W	46	92	134	184	
Back EMF Constant	mV/RPM	5.1	5.1	4.9	5.1	
Torque Constant	mNm/A	63	63	61.00	63	
Rotor Inertia	g-cm ²	30	75	119	230	
Line to line Resistance	ohms	1.5	0.6	0.45	0.38	
Line to line Inductance	mH	4.5	2.1	1.65	1	
Motor Body Length	"L"	102	122	162	182	

Outline Drawing

Brushless motor with round front end bell



brushless motor with square front end bell

