

DC Gear Motor Series

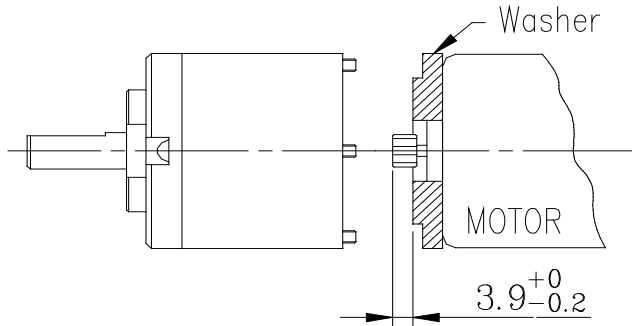


Gearbox with Ball/Sleeve Bearings

EP32

Operating Rative Humidity: 20%~85%RH
 Operating Temperature Range: -10°C~+60°C

MOTOR INSTALLATION



SPECIFICATIONS

Reduction Ratio	Excat Reduction Ratio	Related Tolerance Torque	Max Momentary Tolerance Torque	Efficiency	Radial Play of Shaft		Thrust Play of Shaft		L	Module	No. of Teeth	Pressure Angle	Hole Diameter
					Sleeve Bearings	Ball Bearings	Sleeve Bearings	Ball Bearings					
1/4, 1/5	3 12/17, 5 2/11	2.0kgf-cm Max	6.0 kgf-cm	80%	≤0.05mm	≤0.04mm	≤0.3mm	≤0.3mm	17.6	0.5	11/17	20°	2.28/2.48/2.98/3.16
1/14, 1/19	13 212/289, 19 38/187	4.0kgf-cm Max	12.0 kgf-cm	70%	≤0.05mm	≤0.04mm	≤0.3mm	≤0.3mm	24.0	0.5	11/17	20°	
1/27, 1/35	26 103/121, 34 43/44	6.0kgf-cm Max	18.0 kgf-cm	70%	≤0.05mm	≤0.04mm	≤0.3mm	≤0.3mm	24.0	0.5	8/11	20°	2.28/2.48/2.98/3.16/2.28
1/51, 1/71	50 4397/4913, 71 524/3179	8.0kgf-cm Max	24.0 kgf-cm	60%	≤0.05mm	≤0.04mm	≤0.3mm	≤0.3mm	30.4	0.5	11/17	20°	
1/100	99 1044/2057	10.0kgf-cm Max	30.0 kgf-cm	60%	≤0.05mm	≤0.04mm	≤0.3mm	≤0.3mm	30.4	0.5	11	20°	2.28/2.48/2.98/3.16
1/139	139 184/1331	10.0kgf-cm Max	30.0 kgf-cm	60%	≤0.05mm	≤0.04mm	≤0.3mm	≤0.3mm	30.4	0.5	11	20°	
1/189	188 51013/83521	12.0kgf-cm Max	36.0 kgf-cm	50%	≤0.05mm	≤0.04mm	≤0.3mm	≤0.3mm	36.8	0.5	17	20°	
1/264	263 39370/54043	12.0kgf-cm Max	36.0 kgf-cm	50%	≤0.05mm	≤0.04mm	≤0.3mm	≤0.3mm	36.8	0.5	11	20°	
1/516	515 14254/22627	12.0kgf-cm Max	36.0 kgf-cm	50%	≤0.05mm	≤0.04mm	≤0.3mm	≤0.3mm	36.8	0.5	11	20°	
1/712	720 14481/14641	12.0kgf-cm Max	36.0 kgf-cm	50%	≤0.05mm	≤0.04mm	≤0.3mm	≤0.3mm	36.8	0.5	11	20°	
1/939	939 975/5324	12.0kgf-cm Max	36.0 kgf-cm	50%	≤0.05mm	≤0.04mm	≤0.3mm	≤0.3mm	36.8	0.5	8	20°	2.28

DRAWING

