

# DC Gear Motor Series

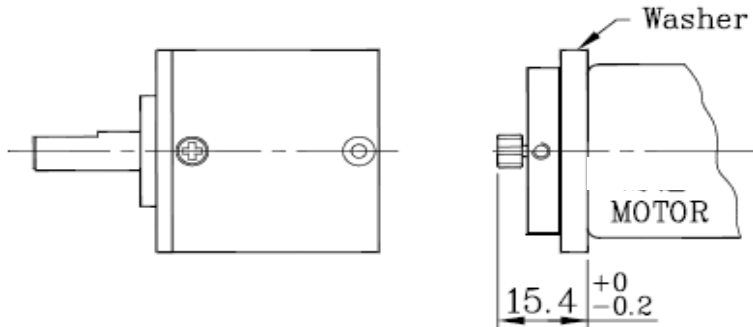


Gearbox with Ball/Sleeve Bearings

## EP42

Operating Relative Humidity: 20%~85%RH  
 Operating Temperature Range: -10°C~+60°C

### MOTOR INSTALLATION



### SPECIFICATIONS

Reduction Ratio	Exact Reduction Ratio	Related Tolerance Torque	Max Momentary Tolerance Torque	Efficiency	Radial Play of Shaft		Thrust Play of Shaft		L	Module	No. of Teeth	Pressure Angle	Hole Diameter
					Sleeve Bearings	Ball Bearings	Sleeve Bearings	Ball Bearings					
1/4	4	5.0kgf-cm Max	15.0 kgf-cm	80%	≤0.05mm	≤0.04mm	≤0.3mm	≤0.3mm	32.5	0.6	20	20°	4.98
1/14,1/17,1/24	14,17 <sup>1/3</sup> ,24	10.0kgf-cm Max	30.0 kgf-cm	70%	≤0.05mm	≤0.04mm	≤0.3mm	≤0.3mm	39.2	0.6	24,18,12	20°	3.98/4.98
1/49,1/61,1/84	49,60 <sup>2/3</sup> ,84	18.0kgf-cm Max	54.0 kgf-cm	60%	≤0.05mm	≤0.04mm	≤0.3mm	≤0.3mm	45.9	0.6	24,18,12	20°	3.98/4.98
1/104,1/144	104,144	20.0kgf-cm Max	60.0 kgf-cm	60%	≤0.05mm	≤0.04mm	≤0.3mm	≤0.3mm	45.9	0.6	12	20°	3.98
1/212,1/294	212 <sup>1/3</sup> ,294	25.0kgf-cm Max	75.0 kgf-cm	50%	≤0.05mm	≤0.04mm	≤0.3mm	≤0.3mm	52.6	0.6	18	20°	4.98
1/504,1/624	504,624	30.0kgf-cm Max	90.0 kgf-cm	50%	≤0.05mm	≤0.04mm	≤0.3mm	≤0.3mm	52.6	0.6	12	20°	3.98
1/720,1/864	720,864	30.0kgf-cm Max	90.0 kgf-cm	50%	≤0.05mm	≤0.04mm	≤0.3mm	≤0.3mm	52.6	0.6	12	20°	3.98/4.98
1/1062	1061 <sup>2/3</sup>	30.0kgf-cm Max	90.0 kgf-cm	40%	≤0.05mm	≤0.04mm	≤0.3mm	≤0.3mm	59.6	0.6	15	20°	4.98
1/1470,1/2500	1470,2500	30.0kgf-cm Max	90.0 kgf-cm	40%	≤0.05mm	≤0.04mm	≤0.3mm	≤0.3mm	59.9	0.6	15	20°	4.98
1/3000,1/3600	3000,3600	30.0kgf-cm Max	90.0 kgf-cm	40%	≤0.05mm	≤0.04mm	≤0.3mm	≤0.3mm	59.6	0.6	15	20°	4.98

### DRAWING

