

# DC Gear Motor Series

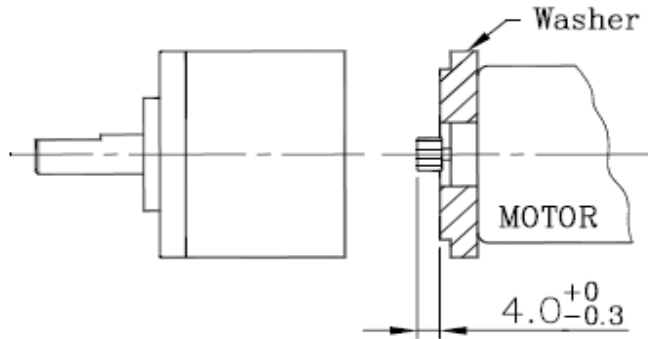


Gearbox with Ball Bearings

## EP43

Operating Rative Humidity: 20%~85%RH  
 Operating Temperature Range: -10°C~+60°C

### MOTOR INSTALLATION



### SPECIFICATIONS

Reduction Ratio	Excat Reduction Ratio	Related Tolerance Torque	Max Momentary Tolerance Torque	Efficiency	Radial Play of Shaft	Thrust Play of Shaft	L	Module	No. of Teeth	Pressure Angle	Hole Diameter
1/4	4	4.0kgf-cm Max	12.0 kgf-cm	80%	≤0.04mm	≤0.3mm	26.15	0.6	12	20°	3.16, 3.98
1/14,1/17,1/24	14,17 <sup>1/3</sup> ,24	8.0kgf-cm Max	24.0 kgf-cm	70%	≤0.04mm	≤0.3mm	32.95	0.6	24/18/12	20°	3.16, 3.98
1/49,1/61,1/84	49,60 <sup>2/3</sup> ,84	15.0kgf-cm Max	45.0 kgf-cm	60%	≤0.04mm	≤0.3mm	39.75	0.6	24/18/12	20°	3.16, 3.98
1/104,1/144	104,144	20.0kgf-cm Max	60.0 kgf-cm	60%	≤0.04mm	≤0.3mm	39.75	0.6	12	20°	3.16, 3.98
1/212,1/294	212 <sup>1/3</sup> ,294	25.0kgf-cm Max	75.0 kgf-cm	50%	≤0.04mm	≤0.3mm	46.45	0.6	18	20°	3.16, 3.98
1/504,1/624	504,624	30.0kgf-cm Max	90.0 kgf-cm	50%	≤0.04mm	≤0.3mm	46.45	0.6	12	20°	3.16, 3.98
1/720,1/864	720,864	30.0kgf-cm Max	90.0 kgf-cm	50%	≤0.04mm	≤0.3mm	46.45	0.6	15/12	20°	3.16, 3.98

### DRAWING

