

DC Gear Motor Series

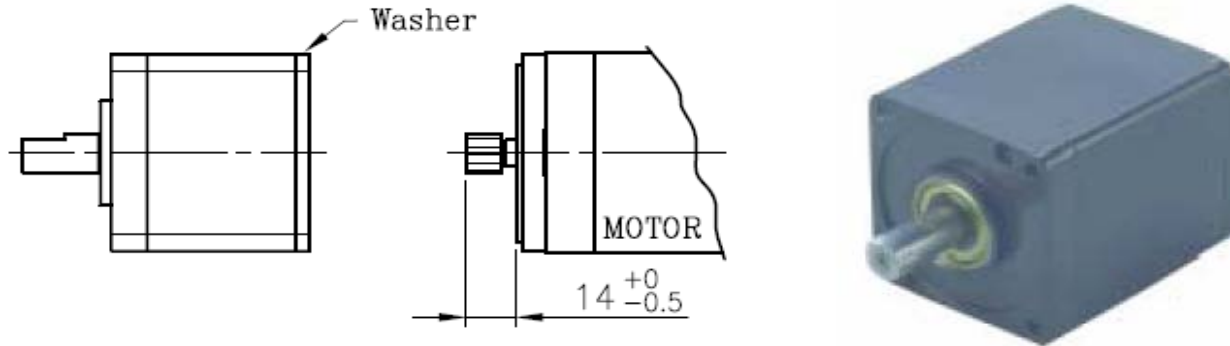


Gearbox with Ball Bearings

EP60W

Operating Relative Humidity: 20%~85%RH
 Operating Temperature Range: -10°C~+60°C

MOTOR INSTALLATION



SPECIFICATIONS

Reduction Ratio	Exact Reduction Ratio	Related Tolerance Torque	Max Momentary Tolerance Torque	Efficiency	Radial Play of Shaft	Thrust Play of Shaft	L	Module	No. of Teeth	Pressure Angle	Hole Diameter
1/3, 1/4	3 1/2, 4 1/3	15kgf-cm Max	45kgf-cm	80%	≤0.08mm	≤0.4mm	43.3	1.0	16, 12	20°	8X6,6X4.5
1/12, 1/15	12 1/4, 15 1/6	50kgf-cm Max	150kgf-cm	70%	≤0.08mm	≤0.4mm	58.8	1.0	16,12	20°	8X6,6X4.5
1/19	18 7/9	50kgf-cm Max	150kgf-cm	70%	≤0.08mm	≤0.4mm	58.8	1.0	12	20°	6X4.5
1/43, 1/53, 1/66	42 7/8, 53 1/12, 65 13/18	100kgf-cm Max	300kgf-cm	60%	≤0.08mm	≤0.4mm	74.3	1.0	16,12	20°	8X6,6X4.5
1/81, 1/100	81 10/27, 100 2/7	100kgf-cm Max	300kgf-cm	60%	≤0.08mm	≤0.4mm	74.3	1.0	12,14	20°	8X6,6X4.5
1/113	112 2/3	100kgf-cm Max	300kgf-cm	60%	≤0.08mm	≤0.4mm	74.3	1.0	12	20°	6X4.5
1/150	150 1/16	100kgf-cm Max	300kgf-cm	50%	≤0.08mm	≤0.4mm	89.8	1.0	16	20°	8X6
1/230, 1/285	230 1/36, 284 43/54	100kgf-cm Max	300kgf-cm	50%	≤0.08mm	≤0.4mm	89.8	1.0	12	20°	6X4.5
1/353, 1/488	352 49/81, 488 2/9	100kgf-cm Max	300kgf-cm	50%	≤0.08mm	≤0.4mm	89.8	1.0	12	20°	6X4.5
1/546, 1/676	546, 676	100kgf-cm Max	300kgf-cm	50%	≤0.08mm	≤0.4mm	89.8	1.0	12	20°	6X4.5

DRAWING

