

DC Gear Motor Series

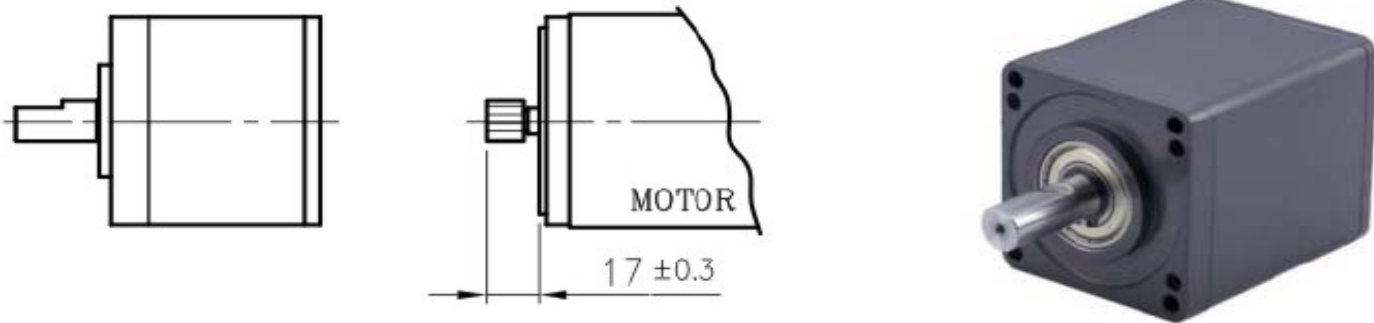


Gearbox with Ball Bearings

EP70W

Operating Relative Humidity: 20%~85%RH
 Operating Temperature Range: -10°C~+60°C

MOTOR INSTALLATION



SPECIFICATIONS

Reduction Ratio	Exact Reduction Ratio	Related Tolerance Torque	Max Momentary Tolerance Torque	Efficiency	Radial Play of Shaft	Thrust Play of Shaft	L	Module	No. of Teeth	Pressure Angle	Hole Diameter
1/4	3 1/2	15kgf-cm Max	45kgf-cm	80%	≤0.08mm	≤0.4mm	47.3	1.0	20	20°	8X6
1/13, 1/16	13 2/9, 16	70kgf-cm Max	210kgf-cm	70%	≤0.08mm	≤0.4mm	63.8	1.0	18,14	20°	8X6
1/20	19 17/21	70kgf-cm Max	210kgf-cm	70%	≤0.08mm	≤0.4mm	63.8	1.0	14	20°	8X6
1/50, 1/60, 1/75	49 77/81, 60 4/9, 74 158/189	125kgf-cm Max	375kgf-cm	60%	≤0.08mm	≤0.4mm	80.3	1.0	18,14	20°	8X6
1/91, 1/102	90 82/147, 101 10/13	125kgf-cm Max	375kgf-cm	60%	≤0.08mm	≤0.4mm	80.3	1.0	14,13	20°	8X6, 6X4.5
1/126	126	125kgf-cm Max	375kgf-cm	60%	≤0.08mm	≤0.4mm	80.3	1.0	13	20°	6X4.5
1/189, 1/242	188 512/729, 242 8/117	125kgf-cm Max	375kgf-cm	50%	≤0.08mm	≤0.4mm	96.8	1.0	18,13	20°	8X6, 6X4.5
1/300, 1/363	299 19/27, 362 2/3	125kgf-cm Max	375kgf-cm	50%	≤0.08mm	≤0.4mm	96.8	1.0	13	20°	6X4.5
1/414	413 1007/1029	125kgf-cm Max	375kgf-cm	50%	≤0.08mm	≤0.4mm	96.8	1.0	14	20°	8X6
1/493, 1/543	493 32/169, 543 51/147	125kgf-cm Max	375kgf-cm	50%	≤0.08mm	≤0.4mm	96.8	1.0	13,14	20°	6X4.5, 8X6
1/611	610 24/39	125kgf-cm Max	375kgf-cm	50%	≤0.08mm	≤0.4mm	96.8	1.0	13	20°	6X4.5

DRAWING

