

DC Gear Motor Series

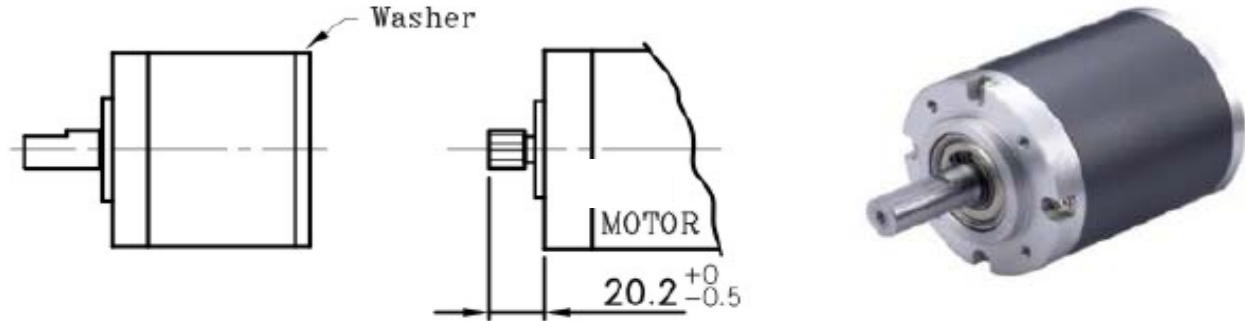


Gearbox with Ball Bearings

EP80

Operating Relative Humidity: 20%~85%RH
 Operating Temperature Range: -10°C~+60°C

MOTOR INSTALLATION



SPECIFICATIONS

Reduction Ratio	Exact Reduction Ratio	Related Tolerance Torque	Max Momentary Tolerance Torque	Efficiency	Radial Play of Shaft	Thrust Play of Shaft	L	Module	No. of Teeth	Pressure Angle	Hole Diameter
1/4	3 17/21	15kgf-cm Max	45kgf-cm	80%	≤0.08mm	≤0.4mm	52.3	1.0	21	20°	8X6
1/13, 1/15	12 4/5, 14 226/441	70kgf-cm Max	210kgf-cm	70%	≤0.08mm	≤0.4mm	68.8	1.0	21	20°	8X6
1/19, 1/21	18 198/325, 21 9/91	70kgf-cm Max	210kgf-cm	70%	≤0.08mm	≤0.4mm	68.8	1.0	13	20°	6X4.5
1/49, 1/55	48 16/21, 55 2645/9261	125kgf-cm Max	375kgf-cm	60%	≤0.08mm	≤0.4mm	85.3	1.0	21	20°	8X6
1/71, 1/80	70 58/65, 80 240/637	125kgf-cm Max	375kgf-cm	60%	≤0.08mm	≤0.4mm	85.3	1.0	13	20°	6X4.5
1/103, 1/117	103 261/4225, 116 1012/1183	125kgf-cm Max	375kgf-cm	60%	≤0.08mm	≤0.4mm	85.3	1.0	13	20°	6X4.5
1/186, 1/210	186 335/441, 210 118990/194481	125kgf-cm Max	375kgf-cm	50%	≤0.08mm	≤0.4mm	101.8	1.0	21	20°	8X6
1/306, 1/393	306 2638/13377, 392 536/845	125kgf-cm Max	375kgf-cm	50%	≤0.08mm	≤0.4mm	101.8	1.0	13	20°	6X4.5
1/445, 1/571	445 1355/8281, 570 45582/54925	125kgf-cm Max	375kgf-cm	50%	≤0.08mm	≤0.4mm	101.8	1.0	13	20°	6X4.5
1/647	647 3067/15379	125kgf-cm Max	375kgf-cm	50%	≤0.08mm	≤0.4mm	101.8	1.0	13	20°	6X4.5

DRAWING

