

# DC Gear Motor Series

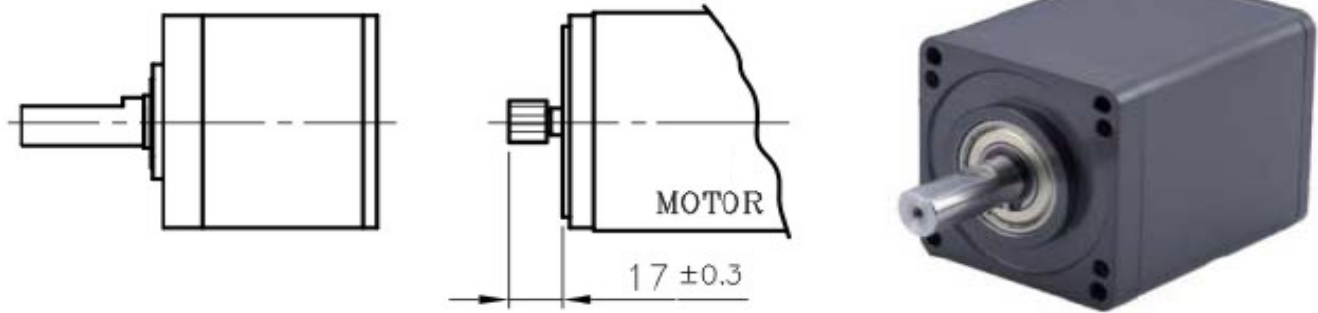


Gearbox with Ball Bearings

## EP90W

Operating Rative Humidity: 20%~85%RH  
 Operating Temperature Range: -10°C~+60°C

### MOTOR INSTALLATION



### SPECIFICATIONS

Reduction Ratio	Excat Reduction Ratio	Related Tolerance Torque	Max Momentary Tolerance Torque	Efficiency	Radial Play of Shaft	Thrust Play of Shaft	L	Module	No. of Teeth	Pressure Angle	Hole Diameter
1/4	3 4/7	20kgf-cm Max	60kgf-cm	80%	≤0.08mm	≤0.4mm	53.3	1.25	21	20°	10X8
1/15, 1/19	14 47/77, 18 3/4	80kgf-cm Max	240kgf-cm	70%	≤0.08mm	≤0.4mm	69.8	1.0	16,22	20°	10X8
1/52, 1/60	52 121/252, 59 652/847	150kgf-cm Max	450kgf-cm	60%	≤0.08mm	≤0.4mm	86.3	1.0	22	20°	10X8
1/77	76 31/44	150kgf-cm Max	450kgf-cm	60%	≤0.08mm	≤0.4mm	86.3	1.0	16	20°	10X8
1/98	98 7/16	150kgf-cm Max	450kgf-cm	60%	≤0.08mm	≤0.4mm	86.3	1.0	16	20°	10X8
1/201	201 263/1512	180kgf-cm Max	540kgf-cm	50%	≤0.08mm	≤0.4mm	102.8	1.0	24	20°	10X8
1/294	294 3/88	180kgf-cm Max	540kgf-cm	50%	≤0.08mm	≤0.4mm	102.8	1.0	16	20°	10X8
1/403	402 123/176	180kgf-cm Max	540kgf-cm	50%	≤0.08mm	≤0.4mm	102.8	1.0	16	20°	10X8
1/517	516 51/64	180kgf-cm Max	540kgf-cm	50%	≤0.08mm	≤0.4mm	102.8	1.0	16	20°	10X8

### DRAWING

