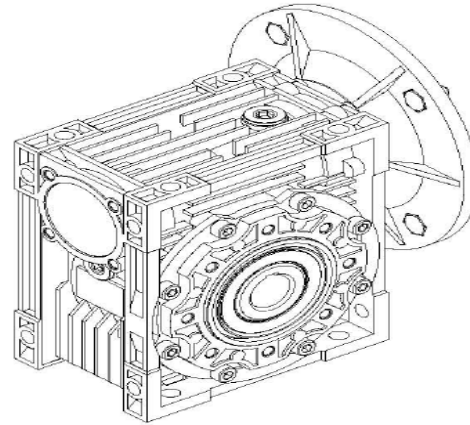


Worm Speed Reducers



025 Series



Specification

P1 Output Power (kw)	n ² Max. Output Speed (rpm)	M2 Max. Output Torque (Nm)	F. S. Safe Facotr	i Reduction Ratio	Fr2 Radial Force
0.06	280	1.8	6.2	5	439
	186.7	2.6	4.2	7.5	503
	140	3.4	3.5	10	553
	93.3	4.9	2.5	15	633
	70	6.1	2	20	697
	46.7	8.2	1.6	30	798
	35	10	1.3	40	878
	28	12	0.9	50	946
	23.3	14	0.7	60	1006
	14	25.1	1.3	100	1620
	9.3	32	0.9	150	1830
	7	41	0.7	200	1830
	5.6	44	0.8	250	1830
	4.7	59.1	1.2	300	3490
	3.5	71	0.9	400	3490
	2.8	82	0.7	500	3490
	2.3	101	0.6	600	3490
	1.9	116	0.5	750	3490
	1.6	143	0.5	900	3490
	1.2	171	0.4	1200	3490
0.9	197	0.3	1500	3490	
0.8	217	0.3	1800	3490	
0.6	268	0.2	2400	3490	
0.5	324	0.2	3000	3490	
0.4	294	0.1	4000	3490	
0.3	356	0.1	5000	3490	
0.09	280	2.7	4.1	5	439
	186.7	3.9	2.8	7.5	503
	140	5.1	2.4	10	553
	93.3	7.3	1.6	15	633
	70	9.2	1.3	20	697
	46.7	12	1.1	30	798
	35	15	0.9	40	878
	14	37.7	0.8	100	1620
	9.3	49	0.6	150	1830
	7	62	0.5	200	1830
	5.6	66	0.5	250	1830
	4.7	75	0.4	300	1830
3.5	107	0.3	400	1830	
2.8	115	0.3	500	1830	
2.3	135	0.2	600	1830	
1.9	151	0.2	750	1830	
1.6	178	0.2	900	1830	
1.2	212	0.2	1200	1830	

	0.9	247	0.1	1500	1830
	0.78	304	0.1	1800	1830
	0.58	340	0.1	2400	1830
	0.47	405	0.1	3000	1830

Outline Drawing

