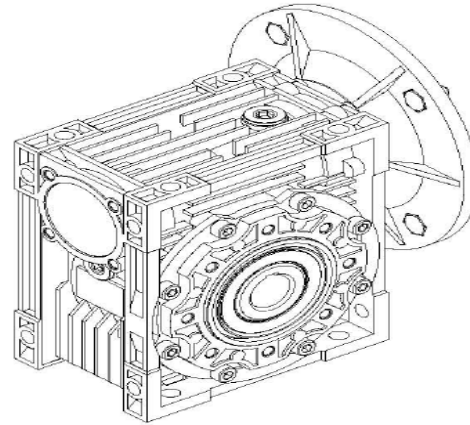


Worm Speed Reducers



030 Series



Specification

P1 Output Power (kw)	n ² Max. Output Speed (rpm)	M2 Max. Output Torque (Nm)	F. S. Safe Facotr	i Reduction Ratio	Fr2 Radial Force
0.06	280	1.8	10.1	5	597
	186.7	2.6	6.9	7.5	683
	140	3.4	5.4	10	752
	93.3	4.7	3.8	15	861
	70	6	3	20	948
	56	7	3	25	1021
	46.7	8	2.5	30	1085
	35	9.7	1.9	40	1194
	28	11	1.5	50	1286
	23.3	13	1.3	60	1367
	17.5	14	0.9	80	1504
	14	25.1	1.3	100	1620
	9.3	32	0.9	150	1830
	7	41	0.7	200	1830
	5.6	44	0.8	250	1830
	4.7	57.4	1.3	300	3490
	3.5	70	0.9	400	3490
	2.8	96	0.6	500	3490
	2.3	104	0.7	600	3490
	1.9	121	0.6	750	3490
	1.6	139	0.5	900	3490
	1.2	166	0.4	1200	3490
	0.9	196	0.4	1500	3490
	0.8	218	0.3	1800	3490
	0.58	261	0.2	2400	3490
	0.4	300	0.2	3200	3490
	0.4	279	0.1	4000	3490
	0.28	338	0.1	5000	3490
	1.6	141.3	1	900	4840
	1.2	169	0.7	1200	4840
	0.93	199	0.7	1500	4840
	0.78	222	0.7	1800	4840
	0.6	266	0.5	2400	4840
	0.5	307	0.4	3000	4840
	0.35	288	0.3	4000	4840
	0.29	311	0.3	4800	4840
	0.9	203.5	1.1	1500	6270
	0.78	225	0.9	1800	6270
	0.58	276	0.8	2400	6270
	0.47	319	0.7	3000	6270
	0.35	306	0.6	4000	6270
	0.28	360	0.4	5000	6270

0.09	280	2.7	6.7	5	597
	186.7	3.9	4.6	7.5	683
	140	5	3.6	10	752
	93.3	7.1	2.5	15	861
	70	9	2	20	948
	56	10	2	25	1021
	46.7	12	1.7	30	1085
	35	14	1.2	40	1194
	28	17	1	50	1286
	23.3	19	0.9	60	1367
	14	37.7	0.8	100	1620
	9.3	49	0.6	150	1830
	7	62	0.5	200	1830
	5.6	66	0.5	250	1830
	4.7	75	0.4	300	1830
	3.5	107	0.3	400	1830
	2.8	115	0.3	500	1830
	2.3	135	0.2	600	1830
	1.9	151	0.2	750	1830
	1.6	178	0.2	900	1830
	1.2	212	0.2	1200	1830
	0.9	247	0.1	1500	1830
	0.78	304	0.1	1800	1830
	0.58	340	0.1	2400	1830
	0.47	405	0.1	3000	1830
	4.7	87.6	0.8	300	3490
	3.5	106.7	1.2	400	4840
	2.8	123	1	500	4840
	2.3	159	0.9	600	4840
	1.9	185	0.8	750	4840
	1.6	212	0.7	900	4840
	1.6	200	1	900	6270
	1.2	263	0.9	1200	6270
	0.93	305	0.7	1500	6270
0.12	280	3.6	5.1	5	597
	186.7	5.2	3.4	7.5	683
	140	6.7	2.7	10	752
	93.3	9.5	1.9	15	861
	70	12	1.5	20	948
	56	14	1.5	25	1021
	46.7	16	1.3	30	1085
	35	19	0.9	40	1194
	28	23	0.8	50	1286
	4.7	118.8	1.2	300	4840
	3.5	142	0.9	400	4840
	2.8	164	0.7	500	4840
	2.8	171.2	1.3	500	6270
	2.3	208	1.1	600	6270
	1.9	241	0.9	750	6270
0.18	280	5.3	3.4	5	597
	186.7	7.8	2.3	7.5	683
	140	10	1.8	10	752
	93.3	14	1.3	15	861
	70	18	1	20	948
	56	21	1	25	1021
	46.7	24	0.8	30	1085
	3.5	221.5	1	400	6270
	2.8	257	0.8	500	6270
0.22	280	6.5	2.8	5	597
	186.7	10	1.9	7.5	683
	140	12	1.5	10	752
	93.3	17	1	15	861
	70	22	0.8	20	948
	4.7	210.5	1.1	300	6270
	3.5	271	0.8	400	6270
0.25	7	159.5	1.4	400	6270
	5.6	185	1.2	500	6270

