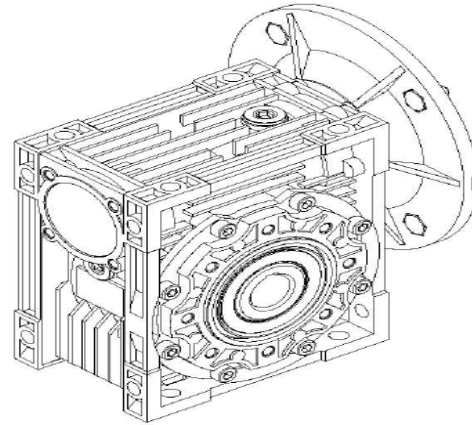


Worm Speed Reducers



040 Series



Specification

P1 Output Power (kw)	n ² Max. Output Speed (rpm)	M2 Max. Output Torque (Nm)	F. S. Safe Facotr	i Reduction Ratio	Fr2 Radial Force
0.06	4.7	59.1	1.2	300	3490
	3.5	71	0.9	400	3490
	2.8	82	0.7	500	3490
	2.3	101	0.6	600	3490
	1.9	116	0.5	750	3490
	1.6	143	0.5	900	3490
	1.2	171	0.4	1200	3490
	0.9	197	0.3	1500	3490
	0.8	217	0.3	1800	3490
	0.6	268	0.2	2400	3490
	0.5	324	0.2	3000	3490
	0.4	294	0.1	4000	3490
	0.3	356	0.1	5000	3490
	4.7	57.4	1.3	300	3490
	3.5	70	0.9	400	3490
	2.8	96	0.6	500	3490
2.3	104	0.7	600	3490	
1.9	121	0.6	750	3490	
1.6	139	0.5	900	3490	
1.2	166	0.4	1200	3490	
0.9	196	0.4	1500	3490	
0.8	218	0.3	1800	3490	
0.58	261	0.2	2400	3490	
0.4	300	0.2	3200	3490	
0.4	279	0.1	4000	3490	
0.28	338	0.1	5000	3490	
0.6	330.4	1.1	2400	7380	
0.47	377	0.8	3000	7380	
0.35	355	0.7	4000	7380	
0.28	419	0.5	5000	7380	
0.5	405.9	1.4	3000	8180	
0.35	365	1.3	4000	8180	
0.28	431	1	5000	8180	
0.09	28	19	2	50	2475
	23.3	21	1.7	60	2630
	17.5	26	1.3	80	2895
	14	29	1	100	3118

	4.7	87.6	0.8	300	3490
	0.9	359.7	1.1	1500	7380
	0.78	404	1	1800	7380
	0.58	496	0.7	2400	7380
	0.5	608.9	0.9	3000	8180
	0.35	548	0.8	4000	8180
0.12	46.7	17.2	2.6	30	2087
	35	21	1.9	40	2298
	28	25	1.5	50	2475
	2.3	28	1.3	60	2630
	17.5	34	1	80	2895
	14	38	0.8	100	3118
	1.6	324.9	1.2	900	7370
	1.2	399	0.9	1200	7380
	0.8	546.6	0.9	1800	8180
	0.58	695	0.9	2400	8180
0.18	70	19.2	2	20	1824
	56	23	1.7	25	1964
	46.7	26	1.7	30	2087
	35	32	1.3	40	2298
	28	38	1	50	2475
	23.3	43	0.8	60	2630
	2.3	362	1.1	600	7380
	1.9	435	0.9	750	7380
	1.6	487	0.8	900	7380
	1.2	629.2	1	1200	8180
	0.93	735	0.8	1500	8180
0.22	93.3	18.5	2.2	15	1657
	70	23	1.7	20	1824
	56	28	1.4	25	1964
	46.7	32	1.4	30	2087
	35	39	1.1	40	2298
	28	47	0.8	50	2475
0.25	280	7.6	4.5	5	1149
	186.7	11	3.6	7.5	1315
	140	14	2.8	10	1447
	93.3	21	1.9	15	1657
	70	27	1.5	20	1824
	56	32	1.2	25	1964
	46.7	36	1.3	30	2087
	35	44	0.9	40	2298
	3.5	336.3	1.1	400	7380
	2.8	384	0.8	500	7380
	2.3	511.8	1.2	600	8180
	1.9	598	0.9	750	8180
	1.6	667	0.8	900	8180
0.37	280	11.2	3	5	1149
	186.7	16	2.4	7.5	1315
	140	21	1.9	10	1447
	93.3	31	1.3	15	1657
	70	39	1	20	1824
	56	47	0.8	25	1964
	46.7	53	0.8	30	2087
	4.7	405.5	1	300	7380
	3.5	498	0.7	400	7380
	4.7	401.8	1.5	300	8180

	3.5	523	1.2	400	8180
	2.8	611	0.9	500	8180
	2.3	757	0.8	600	8180
0.55	280	16.7	2	5	1149
	186.7	24	1.6	7.5	1315
	140	32	1.3	10	1447
	92.3	46	0.9	15	1657

Outline Drawing

