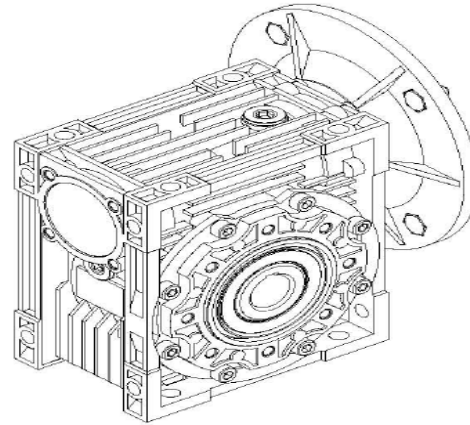


Worm Speed Reducers



050 Series



Specification					
P1 Output Power (kw)	n ² Max. Output Speed (rpm)	M2 Max. Output Torque (Nm)	F. S. Safe Facotr	i Reduction Ratio	Fr2 Radial Force
0.06	1.6	141.3	1	900	4840
	1.2	169	0.7	1200	4840
	0.93	199	0.7	1500	4840
	0.78	222	0.7	1800	4840
	0.6	266	0.5	2400	4840
	0.5	307	0.4	3000	4840
	0.35	288	0.3	4000	4840
	0.29	311	0.3	4800	4840
0.09	3.5	106.7	1.2	400	4840
	2.8	123	1	500	4840
	2.3	159	0.9	600	4840
	1.9	185	0.8	750	4840
	1.6	212	0.7	900	4840
0.12	23.3	29	2.3	60	3610
	17.5	35	1.9	80	3973
	14	40	1.4	100	4280
	4.7	118.8	1.2	300	4840
	3.5	142	0.9	400	4840
	2.8	164	0.7	500	4840
	0.5	883.8	1.2	3000	10320
	0.35	784	1	4000	10320
0.28	928	0.8	5000	10320	
0.18	35	32.9	2.3	40	3153
	28	39	1.9	50	3397
	23.3	43	1.6	60	3610
	17.5	52	1.2	80	3973
	14	60	0.9	100	4280
	0.8	860.6	1.5	1800	10320
	0.58	1113	1.1	2400	10320
0.22	28	47.3	1.5	50	3397
	23.3	53	1.3	60	3610
	17.5	64	1	80	3973
0.25	70	26.9	2.7	20	2503
	56	32	2.2	25	2696
	46.7	37	2.3	30	2865
	35	46	1.7	40	3153
	28	54	1.4	50	3397

	23.3	60	1.1	60	3610
	17.5	72	0.9	80	3973
	1.2	943	1.3	1200	10320
	0.93	1064	1.2	1500	10320
	0.78	1195	1.1	1800	10320
0.37	140	21.7	3.3	10	1987
	93.3	31	2.4	15	2274
	70	40	1.8	20	2503
	56	48	1.5	25	2696
	46.7	55	1.5	30	2865
	35	68	1.1	40	3153
	28	80	0.9	50	3397
	23.3	89	0.8	60	3610
	1.9	949.5	1.3	750	10320
	1.6	1079	1.2	900	10320
	1.2	1396	0.8	1200	10320
0.55	280	16.7	3.7	5	1577
	186.7	25	2.9	7.5	1805
	140	32	2.2	10	1987
	93.3	46	1.6	15	2274
	70	59	1.2	20	2503
	56	71	1	25	2696
	46.7	81	1	30	2865
	4.7	638.9	2	300	10320
	3.5	826	1.4	400	10320
	2.8	984	1.1	500	10320
	2.3	1181	1	600	10320
	1.9	1411	0.9	750	10320
0.75	280	22.8	2.7	5	1577
	186.7	34	2.1	7.5	1805
	140	44	1.6	10	1987
	93.3	63	1.2	15	2274
	70	81	0.9	20	2503
	4.7	871.2	1.5	300	10320
	3.5	1126	1.1	400	10320

Outline Drawing

