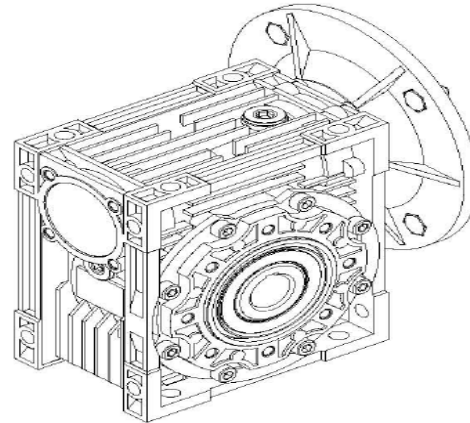


# Worm Speed Reducers



## 063 Series



| Specification              |  |                                  |                      |                      |                     |
|----------------------------|--|----------------------------------|----------------------|----------------------|---------------------|
| P1<br>Output Power<br>(kw) | n <sup>2</sup><br>Max. Output Speed<br>(rpm) | M2<br>Max. Output Torque<br>(Nm) | F. S.<br>Safe Facotr | i<br>Reduction Ratio | Fr2<br>Radial Force |
| <b>0.06</b>                | 0.9  | 203.5                            | 1.1                  | 1500                 | 6270                |
|                            | 0.78   | 225                              | 0.9                  | 1800                 | 6270                |
|                            | 0.58   | 276                              | 0.8                  | 2400                 | 6270                |
|                            | 0.47   | 319                              | 0.7                  | 3000                 | 6270                |
|                            | 0.35   | 306                              | 0.6                  | 4000                 | 6270                |
|                            | 0.28   | 360                              | 0.4                  | 5000                 | 6270                |
| <b>0.09</b>                | 1.6  | 200                              | 1                    | 900                  | 6270                |
|                            | 1.2  | 263                              | 0.9                  | 1200                 | 6270                |
|                            | 0.93   | 305                              | 0.7                  | 1500                 | 6270                |
| <b>0.12</b>                | 2.8  | 171.2                            | 1.3                  | 500                  | 6270                |
|                            | 2.3  | 208                              | 1.1                  | 600                  | 6270                |
|                            | 1.9  | 241                              | 0.9                  | 750                  | 6270                |
| <b>0.18</b>                | 3.5  | 221.5                            | 1                    | 400                  | 6270                |
|                            | 2.8  | 257                              | 0.8                  | 500                  | 6270                |
| <b>0.22</b>                | 4.7  | 210.5                            | 1.1                  | 300                  | 6270                |
|                            | 3.5  | 271                              | 0.8                  | 400                  | 6270                |
| <b>0.25</b>                | 28   | 56.3                             | 2.4                  | 50                   | 4440                |
|                            | 23.3   | 63                               | 2                    | 60                   | 4719                |
|                            | 17.5   | 78                               | 1.6                  | 80                   | 5193                |
|                            | 14   | 87                               | 1.4                  | 100                  | 5595                |
|                            | 7  | 159.5                            | 1.4                  | 400                  | 6270                |
|                            | 5.6  | 185                              | 1.2                  | 500                  | 6270                |
|                            | 0.6  | 1624                             | 1                    | 2400                 | 13500               |
|                            | 0.47   | 1935                             | 0.8                  | 3000                 | 13500               |
|                            | 0.35   | 2046                             | 0.6                  | 4000                 | 13500               |
|                            | 0.28   | 2430                             | 0.5                  | 5000                 | 13500               |
| <b>0.37</b>                | 35   | 70.7                             | 2.1                  | 40                   | 4122                |
|                            | 28   | 83                               | 1.6                  | 50                   | 4440                |
|                            | 23.3   | 94                               | 1.4                  | 60                   | 4719                |
|                            | 17.5   | 115                              | 1.1                  | 80                   | 5193                |
|                            | 14   | 129                              | 0.9                  | 100                  | 5595                |
|                            | 0.9  | 1674.1                           | 1.1                  | 1500                 | 13500               |
|                            | 0.78   | 1887                             | 0.9                  | 1800                 | 13500               |
| <b>0.55</b>                | 70   | 60.8                             | 2.2                  | 20                   | 3272                |
|                            | 56   | 73                               | 1.8                  | 25                   | 3524                |
|                            | 46.7   | 83                               | 1.9                  | 30                   | 3745                |
|                            | 35   | 105                              | 1.4                  | 40                   | 4122                |

|             |       |        |     |      |       |
|-------------|-------|--------|-----|------|-------|
|             | 28    | 124    | 1.1 | 50   | 4440  |
|             | 23.3  | 140    | 0.9 | 60   | 4719  |
|             | 2.8   | 995.5  | 1.6 | 500  | 13500 |
|             | 1.9   | 1471   | 1.2 | 750  | 13500 |
|             | 1.2   | 2132   | 0.8 | 1200 | 13500 |
| <b>0.75</b> | 93.3  | 63.7   | 2.2 | 15   | 2973  |
|             | 70    | 83     | 1.6 | 20   | 3272  |
|             | 56    | 100    | 1.3 | 25   | 3524  |
|             | 46.7  | 114    | 1.4 | 30   | 3745  |
|             | 35    | 143    | 1   | 40   | 4122  |
|             | 2.8   | 1357.5 | 1.1 | 500  | 13500 |
|             | 2.3   | 1631   | 1   | 600  | 13500 |
|             | 1.9   | 2005   | 0.9 | 750  | 13500 |
|             | 1.6   | 2283   | 0.8 | 900  | 13500 |
| <b>1.1</b>  | 186.7 | 49.5   | 2.6 | 7.5  | 2359  |
|             | 140   | 65     | 2   | 10   | 2597  |
|             | 93.3  | 93     | 1.5 | 15   | 2973  |
|             | 70    | 122    | 1.1 | 20   | 3272  |
|             | 56    | 146    | 0.9 | 25   | 3524  |
|             | 46.7  | 167    | 1   | 30   | 3745  |
|             | 4.7   | 1312.1 | 1.3 | 300  | 13500 |
|             | 3.5   | 1671   | 1   | 400  | 13500 |
|             | 2.8   | 1991   | 0.8 | 500  | 13500 |
| <b>1.5</b>  | 186.7 | 67.5   | 1.9 | 7.5  | 2359  |
|             | 140   | 89     | 1.5 | 10   | 2597  |
|             | 93.3  | 127    | 1.1 | 15   | 2973  |
|             | 70    | 166    | 0.8 | 20   | 3272  |
|             | 4.7   | 1789.3 | 1   | 300  | 13500 |
|             | 3.5   | 2279   | 0.7 | 400  | 13500 |

**Outline Drawing**

