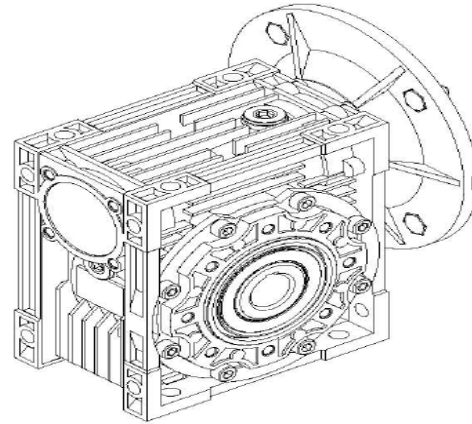


Worm Speed Reducers



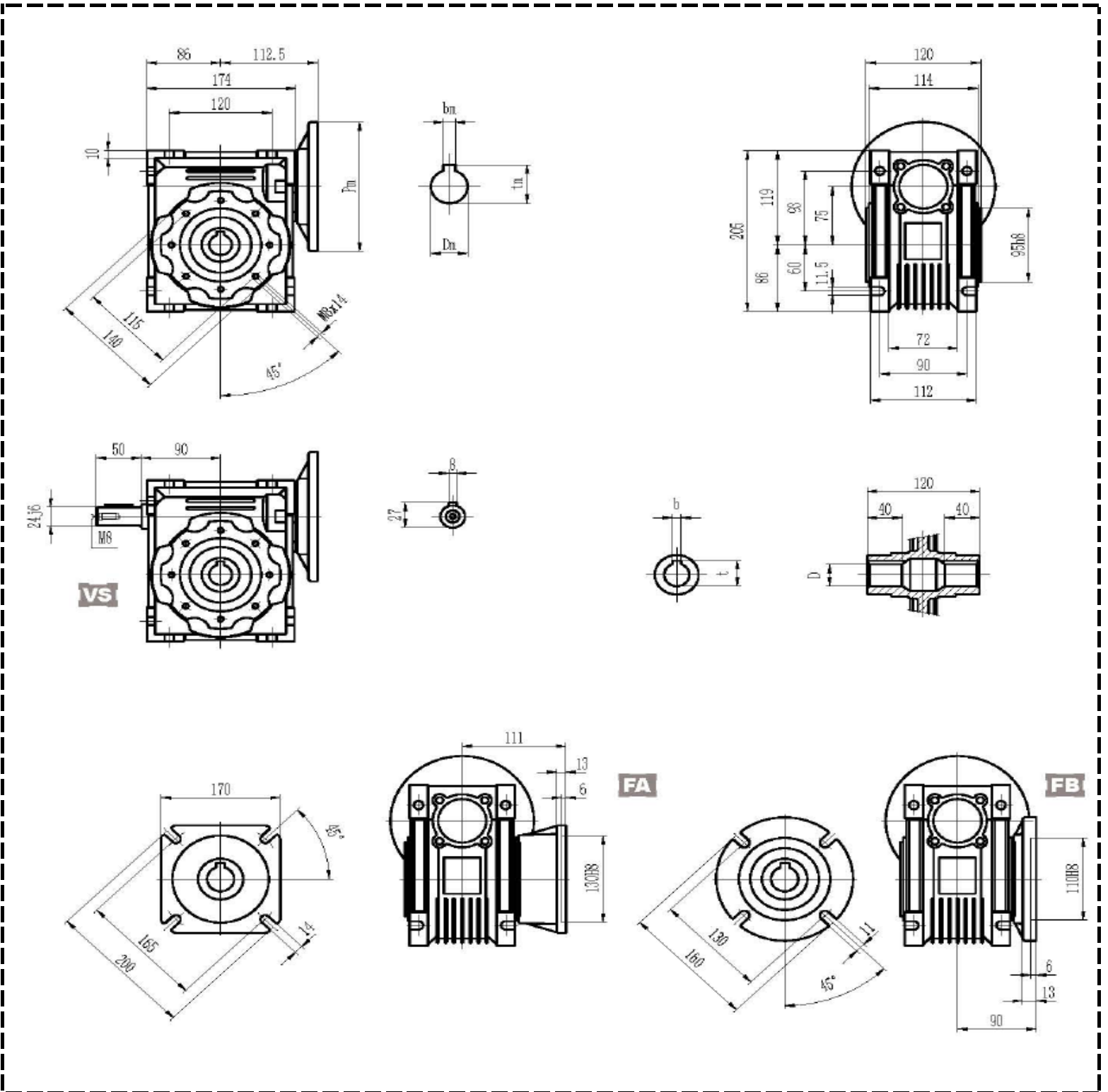
075 Series



Specification					
P1 Output Power (kw)	n ² Max. Output Speed (rpm)	M2 Max. Output Torque (Nm)	F.S. Safe Facotr	i Reduction Ratio	Fr2 Radial Force
0.06	0.6	330.4	1.1	2400	7380
	0.47	377	0.8	3000	7380
	0.35	355	0.7	4000	7380
	0.28	419	0.5	5000	7380
0.09	0.9	359.7	1.1	1500	7380
	0.78	404	1	1800	7380
	0.58	496	0.7	2400	7380
0.12	1.6	324.9	1.2	900	7370
	1.2	399	0.9	1200	7380
0.18	2.3	362	1.1	600	7380
	1.9	435	0.9	750	7380
	1.6	487	0.8	900	7380
0.25	17.5	81.9	2.3	80	6130
	14	94	1.9	100	6603
	3.5	336.3	1.1	400	7380
	2.8	384	0.8	500	7380
0.37	23.3	98.4	2	60	5569
	17.5	121	1.6	80	6130
	14	139	1.3	100	6603
	4.7	405.5	1	300	7380
	3.5	498	0.7	400	7380
0.55	35	108.1	2	40	4865
	28	129	1.6	50	5241
	23.3	146	1.4	60	5569
	17.5	180	1.1	80	6130
	14	206	0.9	100	6603
0.75	56	102.3	2	25	4160
	46.7	117	2	30	4421

	35	147	1.5	40	4865
	28	177	1.2	50	5241
	23.3	200	1	60	5569
1.1	93.3	95.7	2.1	15	3509
	70	123	1.7	20	3862
	56	150	1.3	25	4160
	46.7	171	1.3	30	4421
	35	216	1	40	4865
1.5	140	90	2.2	10	3065
	93.3	130	1.5	15	3509
	70	168	1.3	20	3862
	56	205	1	25	4160
	46.7	233	1	30	4421
2.2	186.7	100.2	1.8	7.5	2785
	140	132	1.5	10	3065
	93.3	191	1	15	3509
3	186.7	136.6	1.4	7.5	2785
	140	180	1.1	10	3065
	93.3	261	0.8	15	3509

Outline Drawing



9812 Whithorn Dr., Houston, TX 77095, Phone: 281.855.2218, Fax: 281.859.8825, Email: motors@telcointercon.com