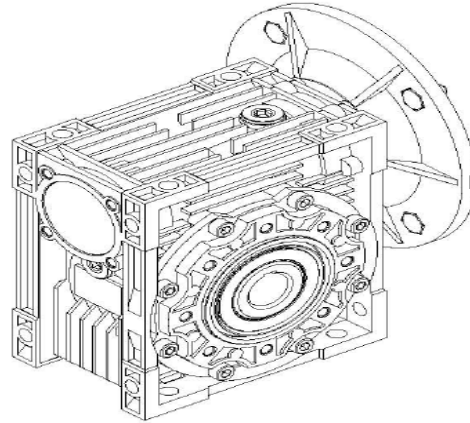


Worm Speed Reducers



090 Series



Specification					
P1 Output Power (kw)	n ² Max. Output Speed (rpm)	M2 Max. Output Torque (Nm)	F.S. Safe Facotr	i Reduction Ratio	Fr2 Radial Force
0.06	0.5	405.9	1.4	3000	8180
	0.35	365	1.3	4000	8180
	0.28	431	1	5000	8180
0.09	0.5	608.9	0.9	3000	8180
	0.35	548	0.8	4000	8180
0.12	0.8	546.6	0.9	1800	8180
	0.58	695	0.9	2400	8180
0.18	1.2	629.2	1	1200	8180
	0.93	735	0.8	1500	8180
0.25	2.3	511.8	1.2	600	8180
	1.9	598	0.9	750	8180
	1.6	667	0.8	900	8180
0.37	4.7	401.8	1.5	300	8180
	3.5	523	1.2	400	8180
	2.8	611	0.9	500	8180
0.55	2.3	757	0.8	600	8180
	17.5	189.1	1.5	80	6783
	14	221	1.2	100	7306
0.75	28	184.2	1.8	50	5799
	23.3	212	1.5	60	6163
	17.5	258	1.1	80	6783
	14	302	0.9	100	7306
1.1	35	225.1	1.6	40	5383
	28	270	1.3	50	5799
	23.3	311	1	60	6163
1.5	70	171.9	2.1	20	4273
	56	210	1.6	25	4603
	46.7	239	1.7	30	4891
	35	307	1.2	40	5383
2.2	38	368	0.9	50	5799
	23.3	424	0.8	60	6163
	186.7	101.3	2.9	7.5	3081
	140	134	2.3	10	3391
	93.3	194	1.9	15	3882
	70	252	1.4	20	4273
3	56	308	1.1	25	4603
	46.7	351	1.2	30	4891
	186.7	138.1	2.1	7.5	3081

	140	182	1.7	10	3391
	93.3	264	1.4	15	3882
	70	344	1	20	4273
	56	420	0.8	25	4603
	46.7	479	0.9	30	4891
4	186.7	184.2	1.6	7.5	3081
	140	243	1.3	10	3391
	93.3	352	1	15	3882
	70	458	0.8	20	4273
4.8	186.7	221	1.3	7.5	3081
	140	291	1.1	10	3391
	93.3	422	0.9	15	3882

Outline Drawing

