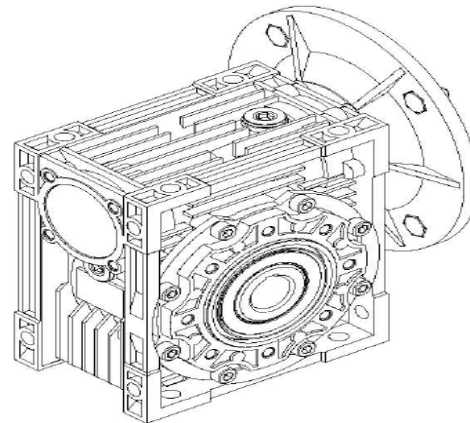


Worm Speed Reducers



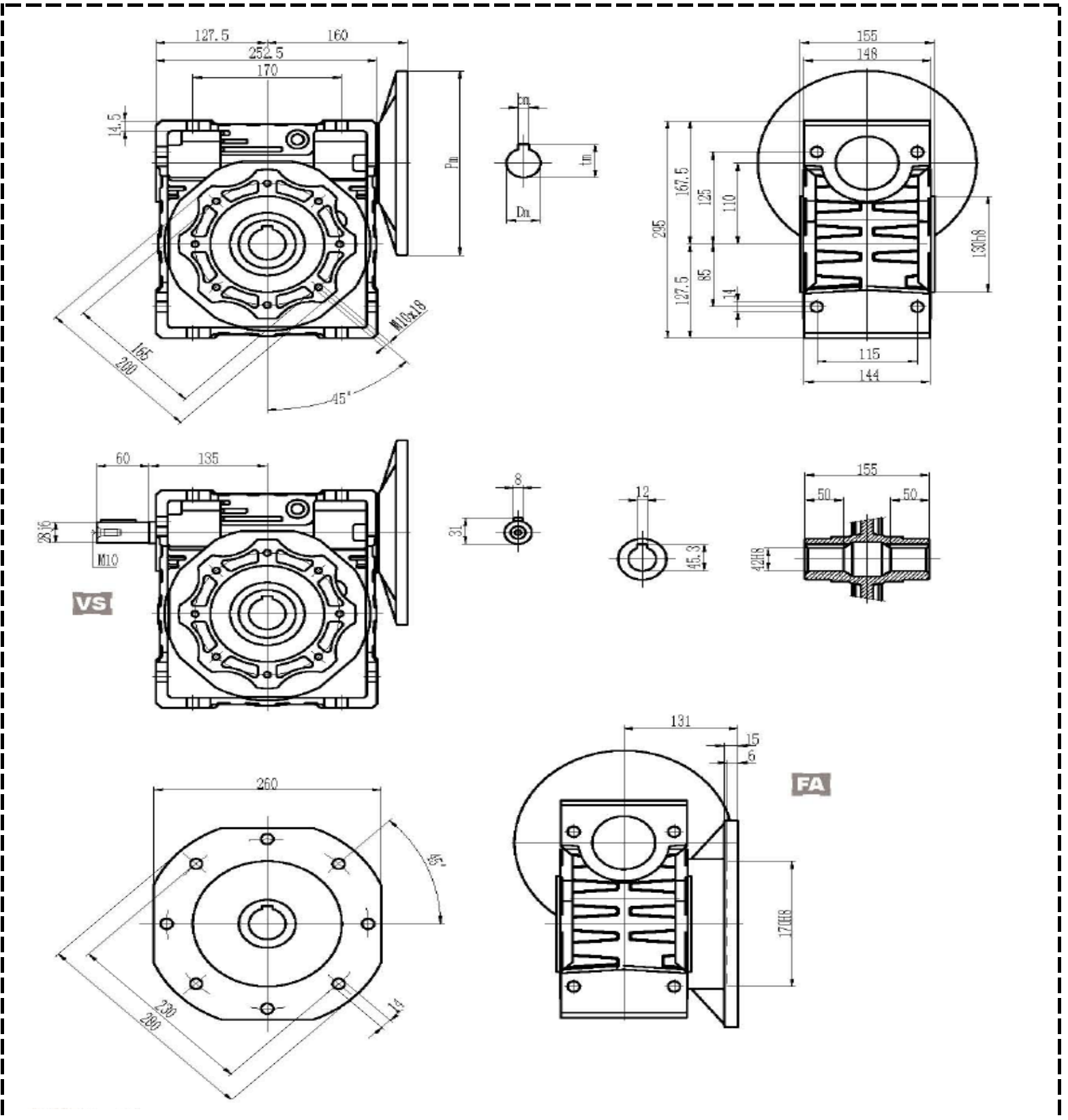
110 Series



Specification					
P1 Output Power (kw)	n ² Max. Output Speed (rpm)	M2 Max. Output Torque (Nm)	F.S. Safe Facotr	i Reduction Ratio	Fr2 Radial Force
0.12	0.5	883.8	1.2	3000	10320
	0.35	784	1	4000	10320
	0.28	928	0.8	5000	10320
0.18	0.8	860.6	1.5	1800	10320
	0.58	1113	1.1	2400	10320
0.25	1.2	943	1.3	1200	10320
	0.93	1064	1.2	1500	10320
	0.78	1195	1.1	1800	10320
0.37	1.9	949.5	1.3	750	10320
	1.6	1079	1.2	900	10320
	1.2	1396	0.8	1200	10320
0.55	17.5	201.1	2.6	80	8571
	14	236	2	100	9232
0.75	17.5	274.2	1.9	80	8571
	14	322	1.5	100	9232
	4.7	871.2	1.5	300	10320
1.1	3.5	1126	1.1	400	10320
	28	281.4	2.3	50	7328
	23.3	324	1.9	60	7787
1.5	17.5	402	1.3	80	8571
	14	473	1	100	9232
	35	319.2	2.2	40	6803
	28	384	1.7	50	7328
	23.3	442	1.4	60	7787
2.2	17.5	548	0.9	80	8571
	70	255.1	2.5	20	5399
	56	315	2.2	25	5816
	46.7	356	2	30	6181

	35	468	1.5	40	6803
	28	563	1.2	50	7328
	23.3	648	1	60	7787
3	93.3	264	2.5	15	4905
	70	348	1.9	20	5399
	56	430	1.6	25	5816
	46.7	485	1.5	30	6181
	35	638	1.1	40	6803
	28	767	0.9	50	7328
4	140	242.8	2.5	10	4285
	93.3	352	1.9	15	4905
	70	464	1.4	20	5399
	56	573	1.2	25	5816
	46.7	647	1.1	30	6181
4.8	186.7	221	2.5	7.5	3893
	140	291	2.1	10	4285
	93.3	422	1.6	15	4905
	70	557	1.2	20	5399
	56	688	1	25	5816
5.5	186.7	253.2	2.2	7.5	3893
	140	334	1.8	10	4285
	93.3	484	1.4	15	4905
	70	638	1	20	5399
7.5	186.7	345.3	1.6	7.5	3893
	140	455	1.3	10	4285
	93.3	660	1	15	4905
9.2	186.7	423.6	1.3	7.5	3893

Outline Drawing



TELCO *Motion*[™]
POWERING YOUR DESIGN

9812 Whithorn Dr., Houston, TX 77095, Phone: 281.855.2218, Fax: 281.859.8825, Email: motors@telcointercon.com