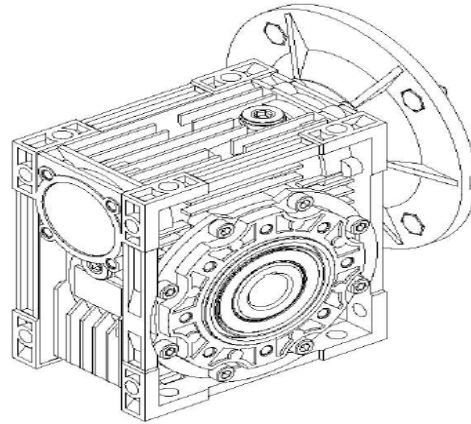


Worm Speed Reducers



130 Series



Specification					
P1 Output Power (kw)	n ² Max. Output Speed (rpm)	M2 Max. Output Torque (Nm)	F.S. Safe Facotr	i Reduction Ratio	Fr2 Radial Force
0.25	0.6	1624	1	2400	13500
	0.47	1935	0.8	3000	13500
	0.35	2046	0.6	4000	13500
	0.28	2430	0.5	5000	13500
0.37	0.9	1674.1	1.1	1500	13500
	0.78	1887	0.9	1800	13500
0.55	2.8	995.5	1.6	500	13500
	1.9	1471	1.2	750	13500
0.75	1.2	2132	0.8	1200	13500
	2.8	1357.5	1.1	500	13500
	2.3	1631	1	600	13500
	1.9	2005	0.9	750	13500
1.1	1.6	2283	0.8	900	13500
	17.5	408.2	2.1	80	11210
	14	480	1.5	100	12076
	4.7	1312.1	1.3	300	13500
1.5	3.5	1671	1	400	13500
	2.8	1991	0.8	500	13500
	17.5	556.6	1.5	80	11210
	14	655	1.1	100	12076
	4.7	1789.3	1	300	13500
2.2	3.5	2279	0.7	400	13500
	35	468.2	2.2	40	8897
	28	563	1.7	50	9584
	23.3	648	1.4	60	10185
3	17.5	816	1	80	11210
	56	429.8	2.2	25	7607
	46.7	491	2.1	30	8084

	35	638	1.6	40	8897
	28	767	1.3	50	9584
	23.3	884	1	60	10185
	17.5	1113	0.8	80	11210
4	56	573	1.6	25	7607
	46.7	655	1.6	30	8084
	35	851	1.2	40	8897
	28	1023	1	50	9584
	23.3	1179	0.8	60	10185
4.8	56	687.6	1.4	25	7607
	46.7	786	1.3	30	8084
	35	1022	1	40	8897
	28	1228	0.8	50	9584
5.5	140	333.9	2.5	10	5605
	93.3	490	1.9	15	6416
	70	645	1.4	20	7062
	56	788	1.2	25	7607
	46.7	900	1.2	30	8084
	35	1171	0.9	40	8897
7.5	186.7	349.2	2.1	7.5	5092
	140	455	1.8	10	5605
	93.3	668	1.4	15	6416
	70	880	1	20	7062
	56	1074	0.9	25	7607
	46.7	1228	0.8	30	8084
	35	1596	0.7	40	8897
9.2	186.7	428.3	1.8	7.5	5092
	140	559	1.5	10	5605
	93.3	819	1.1	15	6416
	70	1079	0.8	20	7062
	56	1318	0.7	25	7607

