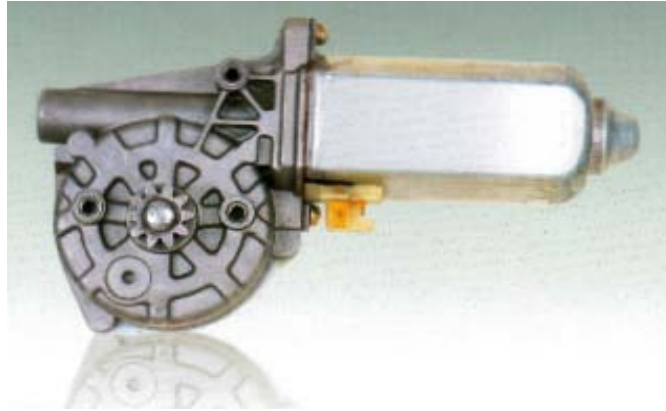


Right Angle Geared Motor



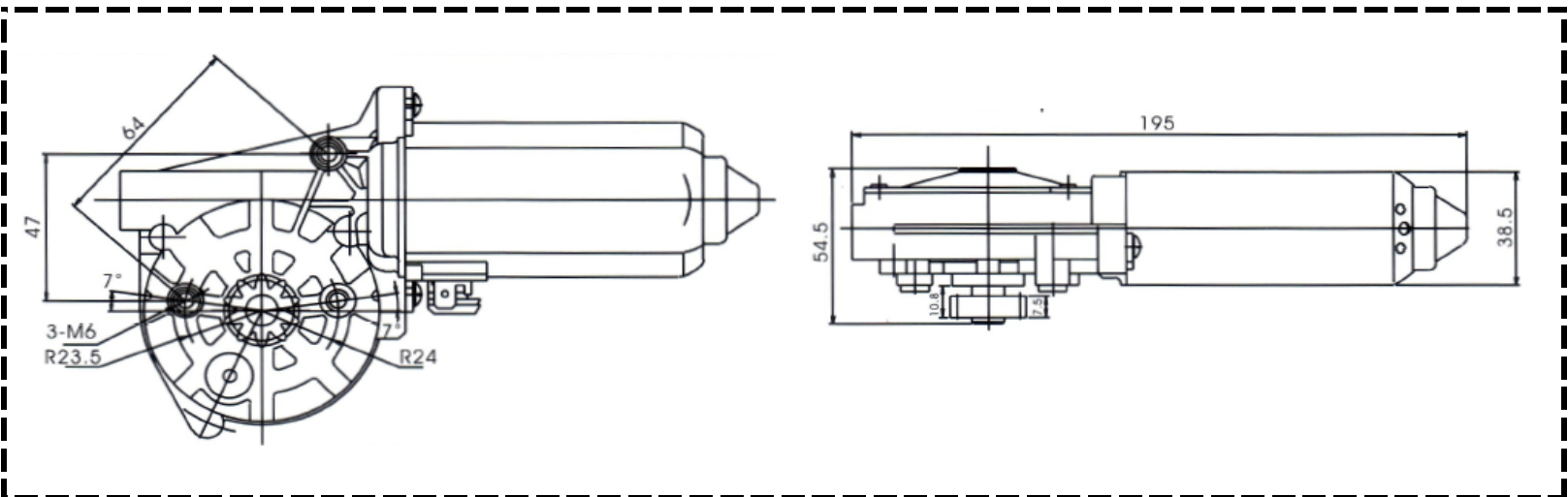
GMP47195



Specification

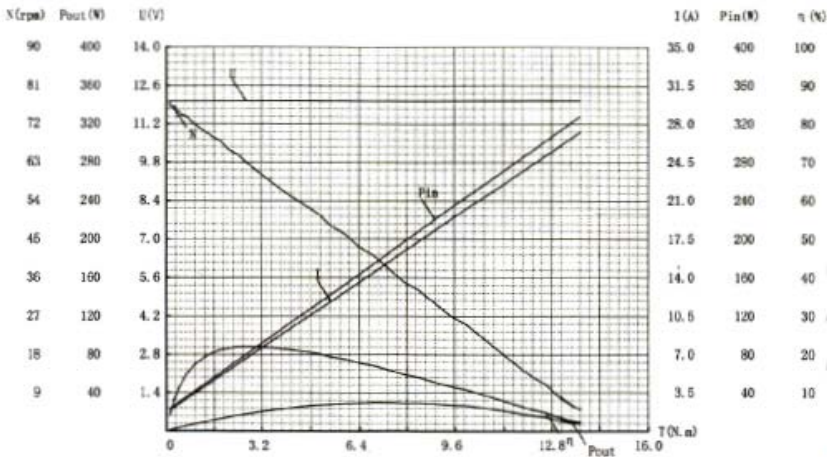
Model No.	Rated Voltage V	No-Load		Torque N.m	Load		Locked Torque N.m	Locked Current A
		Speed RPM	Current A		Speed RPM	Current A		
GMP47195-A R/L	12	70±15	≤3	3	60±10	≤9	≥9.5	≤25
GMP47195-B R/L	24	70±10	≤1.5	3	60±10	≤5	≥10	≤18

Outline Drawing



Performance Curve

GMP47195-A



GMP47195-B

