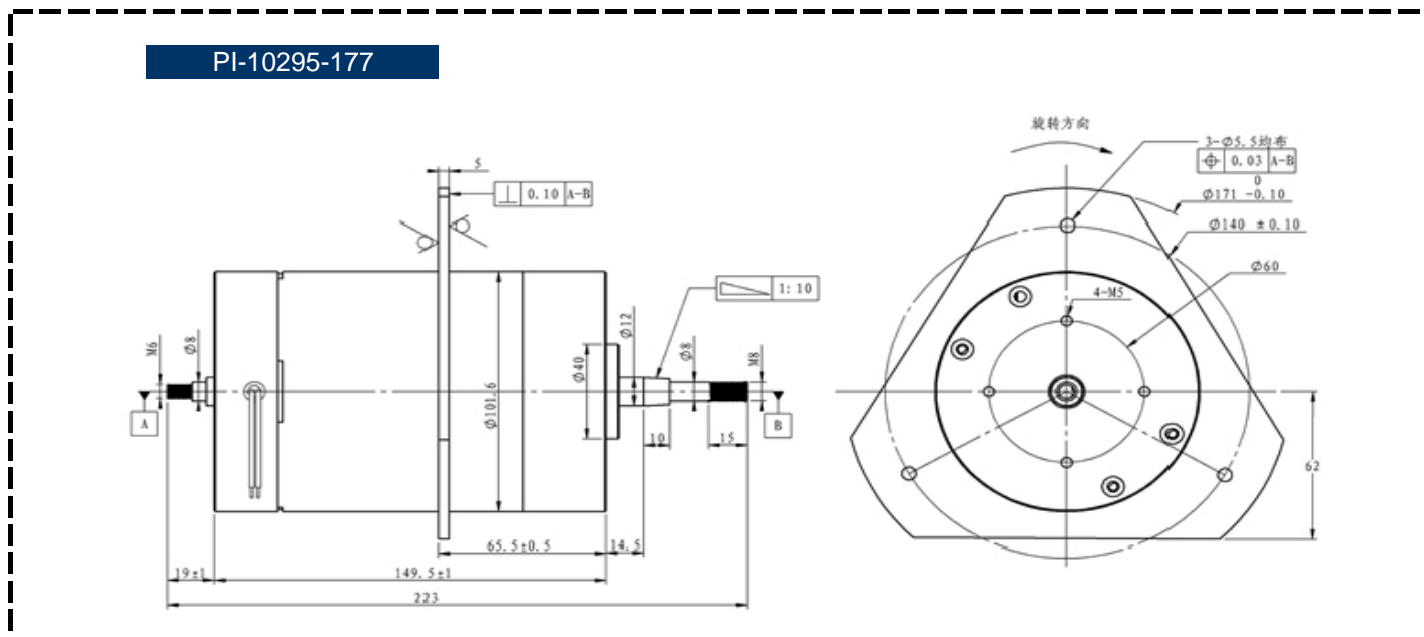


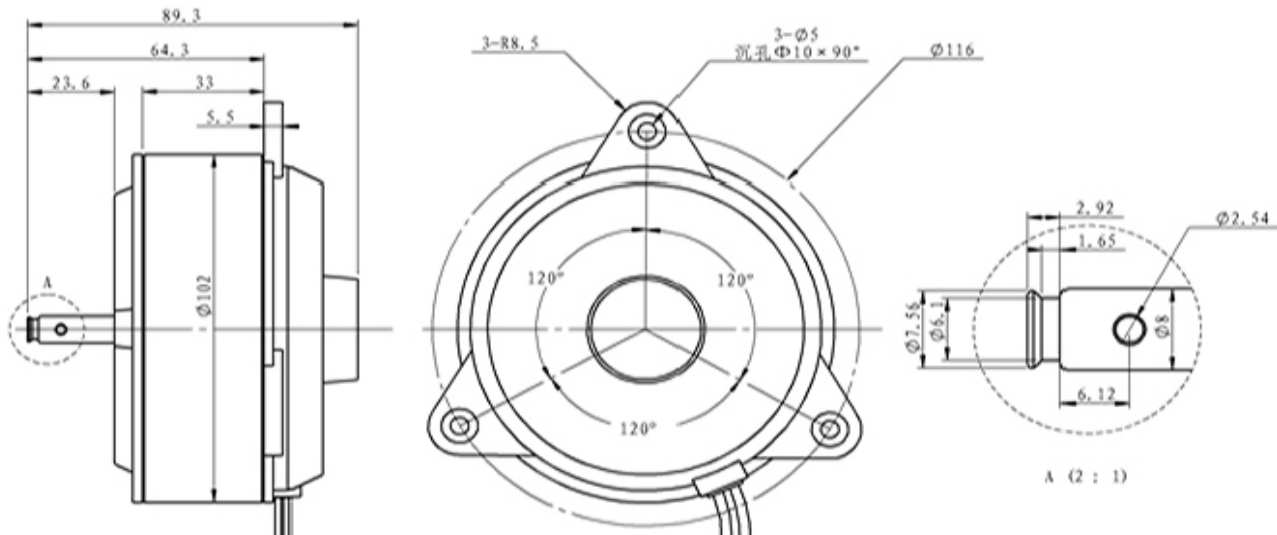
Specification

Model No.	Voltage	No-Load		Load			Output Power
		Speed	Current	Torque	Speed	Current	
	V	RPM	A	mN.m	RPM	A	w
PI-10295-177	95	8000±800	≤0.5	413	4100±150	≤2.4	177
PI-10213-100	13.5	2500±100	≤2.3	532	1800±50	≤12	100
PI-10213-83	13.5	2400±100	≤1.6	420	1880±50	≤8.8	83
PI-10213-77	13.5	2600±100	≤1.8	350	2100±50	≤8.5	77

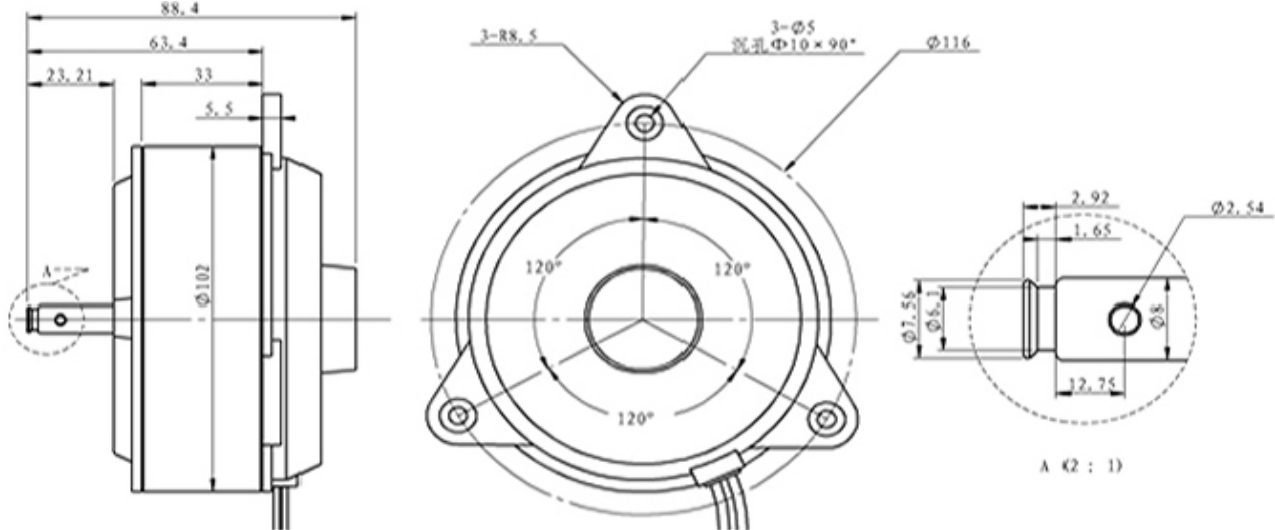
Outline Drawing



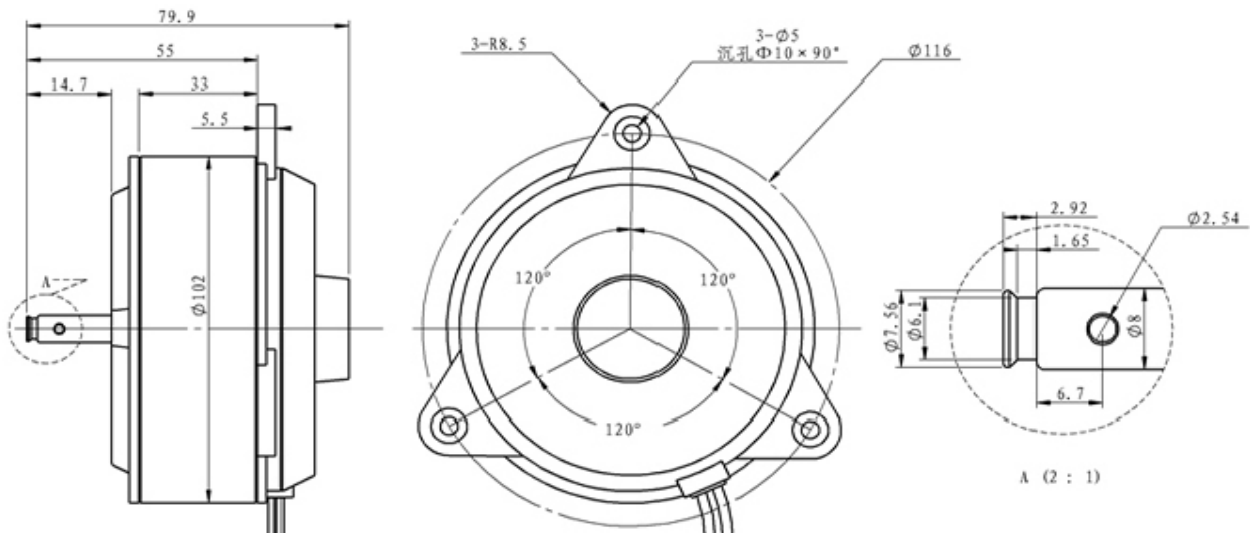
PI-10213-100



PI-10213-83

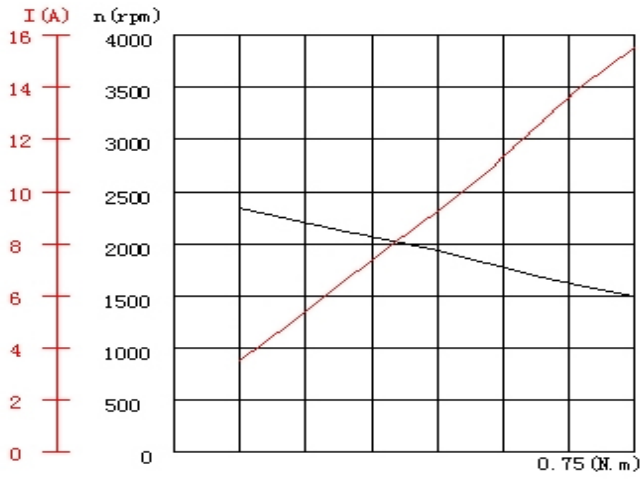


PI-10213-77

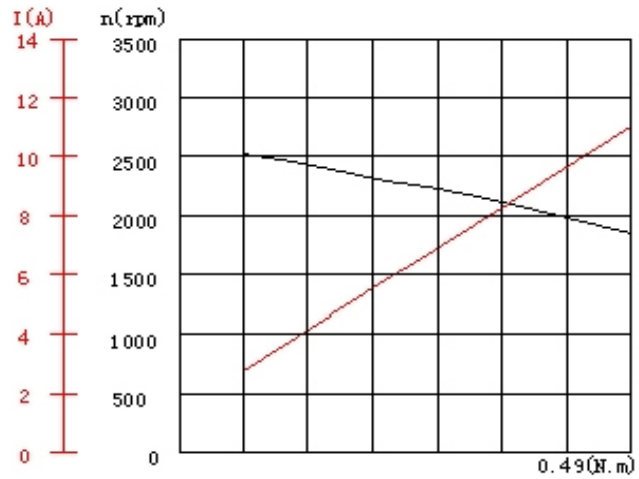


Performance Curve

PI-10213-100



PI-10213-83



PI-10213-77

